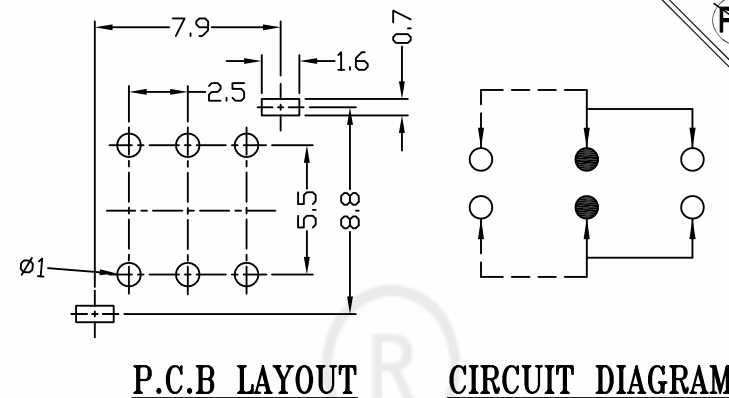
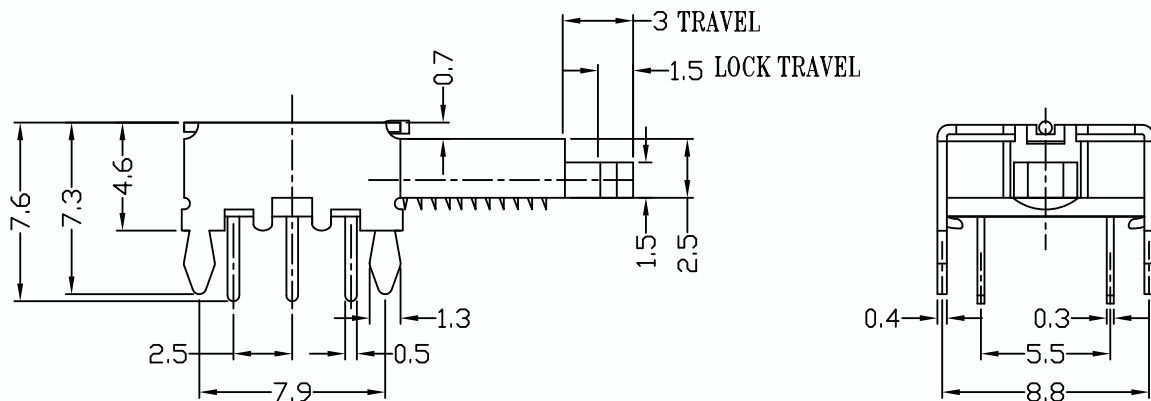
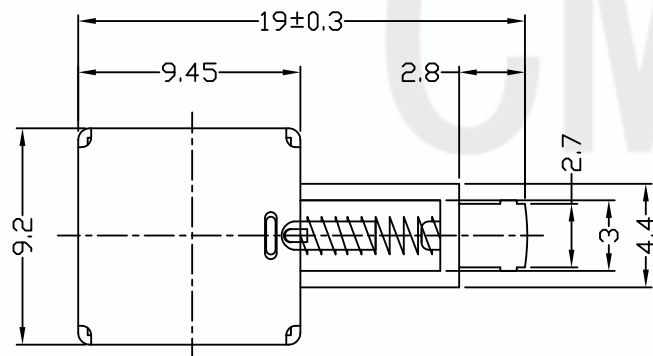


DIMENSIONS



ELECTRO-MECHANICAL CHARACTERISTICS



Rating	0.3A 50V DC	
Circuit	2P2T	
Contact Resistance	< 100 mΩ MAX	
Timing	NON-SHORTING	
Operationg Mode	SELF-LOCK	T5-222502L
	NON-LOCK	T5-222502N
Stroke	FULL 3.0mm	LOCK 1.5mm
Operating Force	250gf ± 100gf	
Operating Life	10.000 cycles	

8	CLIP	PBS	2	Ag PLATED	TOLERANCE UNLESS SPECIFIED WITHIN 1.5mm : ±0.1mm OVER 1.5mm : ±0.2mm	THESE DRAWINGS AND SPECIFICATIONS ARE THE PROPERTY OF DONGGUAN TIANDU TECHNOLOGY CO., LTD. AND SHALL NOT BE REPRODUCED, COPIED OR USED IN ANY MANNER WITHOUT THE PRIOR WRITTEN CONSENT OF DONGGUAN TIANDU TECHNOLOGY CO., LTD	DESCRIPTIONS OF REVISION		APPD.		
7	SPRING PLATE	PBS	1	NATURAL			TITLE : HORIZONTAL PUSH SWITCH	UNIT : mm	DRWG NO.: CMTDDZ-T5-222502NL-00		
6	CAM STICK	PBS WIRE	1	NATURAL			MODEL: T5-222502NL	SCALE: 3:1	DWN.	ERIC	2013-6-17
5	SPRING	SUS WIRE	1	NATURAL			CMTDDZ 东莞市田都科技有限公司 DONGGUAN TIANDU TECHNOLOGY CO., LTD.	CHK'D	MAIKO	2013-6-17	
4	TERMINAL	BRASS	6	Ag PLATED				APPD.	Coco	2013-6-17	
3	TERMINAL CASE	PHENOLIC RESIN	1	NATURAL							
2	COVER	MILD STEEL	1	NI PLATED							
1	KNOB	POM/PBT	1	YELLOW							
NO.	PARTS	MATERIALS	Q'TY	FINISHING							