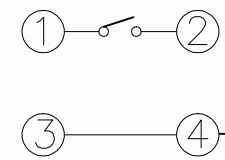
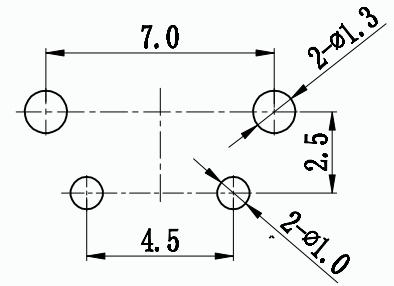
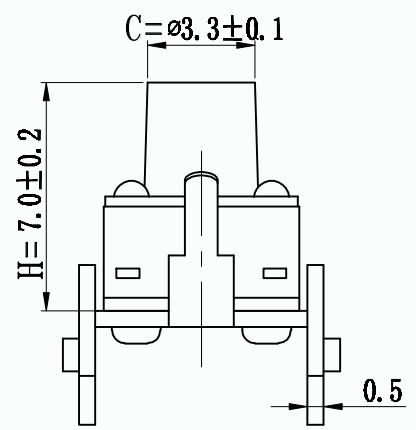


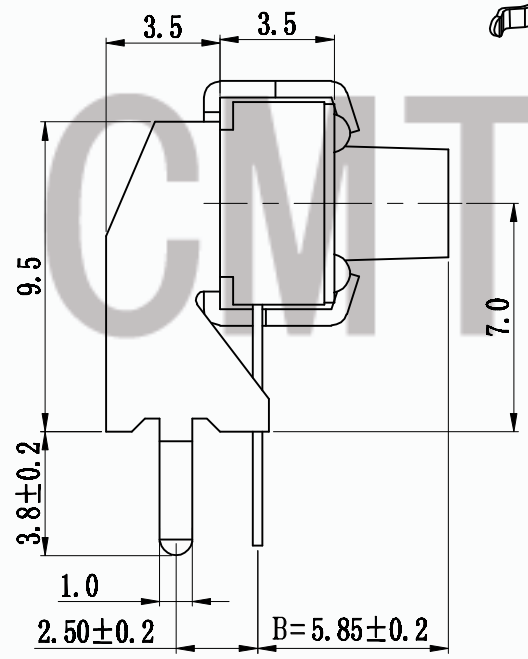
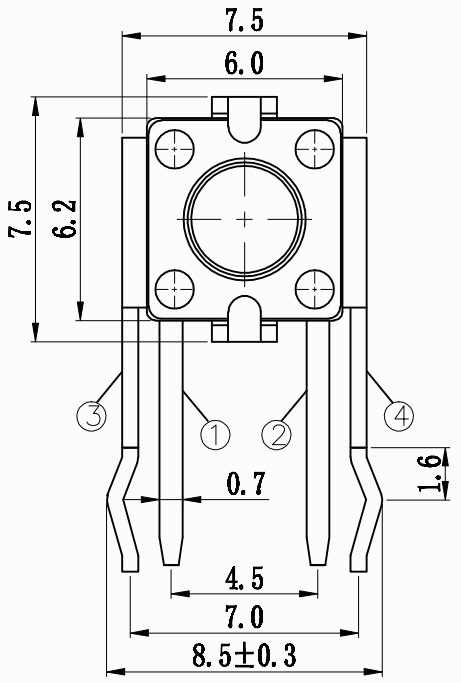
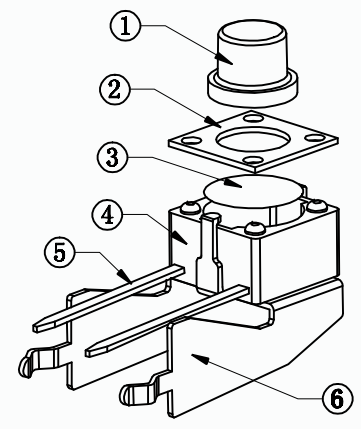
CAD FILE:



CIRCUIT DIAGRAM



P.C.B LAND PATTERN



MODEL NO.	T6-6060BM-XX-H-B-C				
XX	H(mm)	L(mm)	A(mm)	B(mm)	C(mm)
10=100GF	4.3	3.1511	ø3.5	9.5	7.0
16=160GF	5.0	3.85	ø3.5	10.0	7.5
26=260GF	6.0	4.85	ø3.3	12.5	10.0
32=320GF	6.5	5.35	ø3.3	15.0	12.5
52=520GF	7.5	6.35	ø3.3		
	8.0	6.85	ø3.3		
	9.0	7.85	ø3.3		
	10.5	9.35	ø3.0		
	13.0	11.85	ø3.0		
	17.0	15.85	ø3.0		

SPECIFICATIONS	
Rating	50mA 12V DC
Travel	0.25±0.1mm
Contact Resistance	≤ 100 mΩ
Operating temperature	-20°C ~ 70°C ( 45% ~ 85% RH )
Operating Force	100±50/160±50/260±50/320±80/520±130gf
Operating Life	50,000 Cycles for 320/520gf, 100,000 Cycles for 260gf , 200,000 Cycles for 100/160gf

NO.	PARTS	MATERIALS	Q'TY	FINISH	TOLERANCE UNLESS SPECIFIED	DESCRIPTIONS OF REVISION	APPD.	
8					TOLERANCE UNLESS SPECIFIED WITHIN 1.5mm : ±0.1mm OVER 1.5mm : ±0.2mm			
7								
6	TRESTLE	SPCC	1	NICKEL PLATING		THESE DRAWINGS AND SPECIFICATIONS ARE THE PROPERTY OF DONGGUAN TIANDU ELECTRONICS CO.,LTD. AND SHALL NOT BE REPRODUCED, COPIED OR USED IN ANY MANNER WITHOUT THE PRIOR WRITTEN CONSENT OF DONGGUAN TIANDU ELECTRONICS CO., LTD		
5	KNOB	PPA	1	BLACK				
4	COVER	SPCC	1	NICKEL PLATING				
3	TERMINAL	BRASS(0.3T)	2	SILVERING				
2	CONTACT	SUS	1	SILVER COVERED				
1	BASE	PPA	1	BLACK				
					TITLE : TACT SWITCH		UNIT : mm	DRWG NO.: CMTDDZ-T6-6060BM-00
					MODEL: T6-6060BM-XX-H-B-C		SCALE: 3:1	DWN. ERIC 2013-6-17
					CMTDDZ 东莞市田都科技有限公司 DONGGUAN TIANDU TECHNOLOGY CO.,LTD.	CHK'D MAIKO	2013-6-17	
						APPD. Coco	2013-6-17	