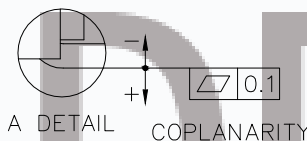
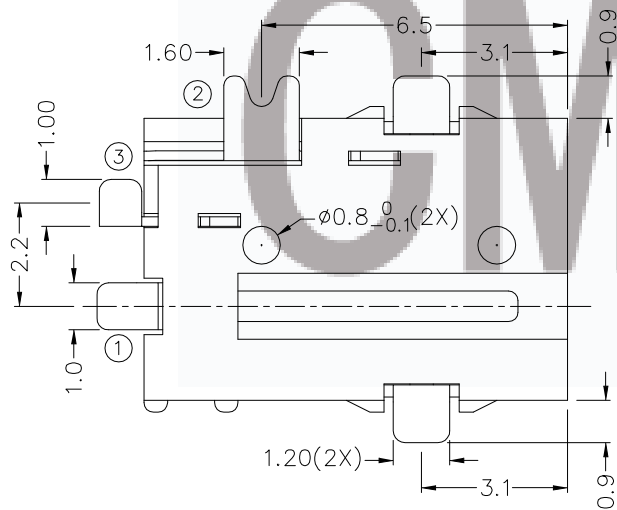
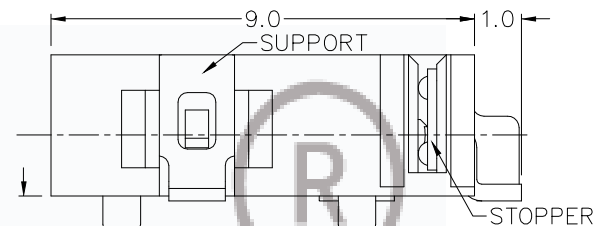
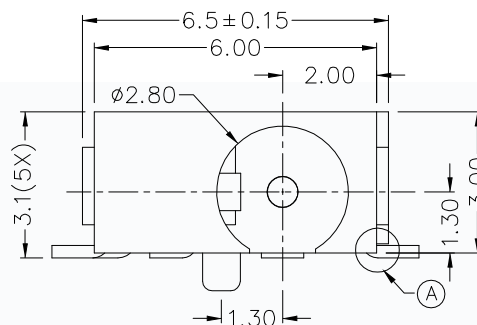
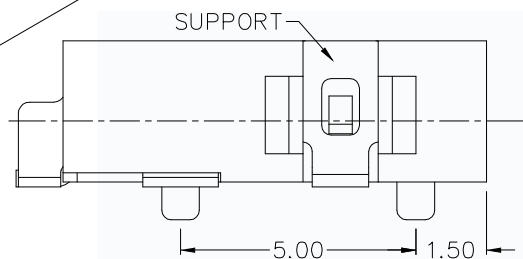
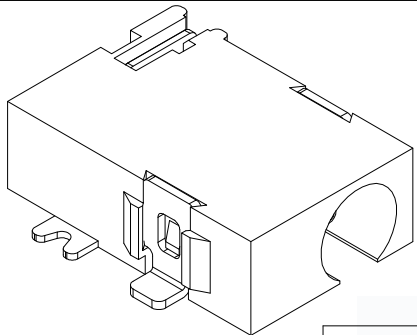


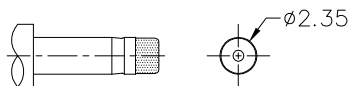
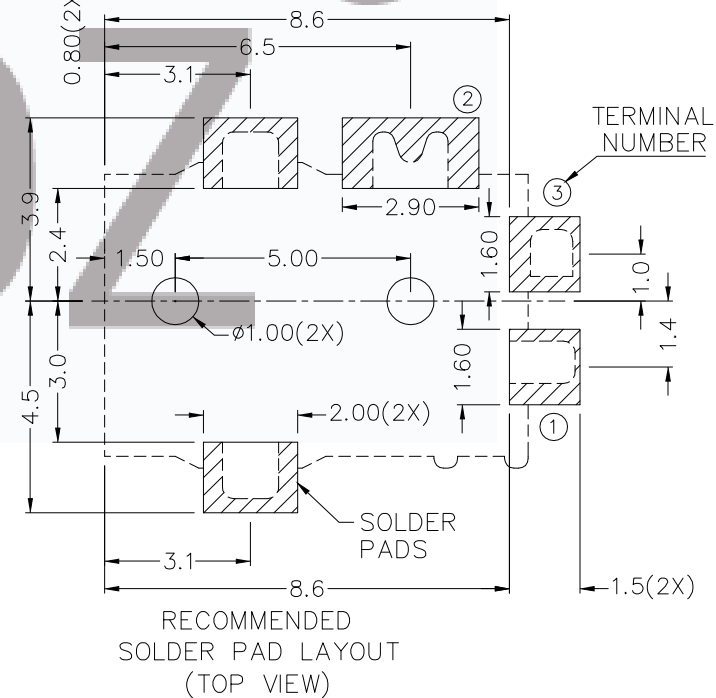
CAD FILE:



* MATERIAL

- TERMINAL 1 : BRASS
- TERMINAL 2 : COPPER ALLOY
- TERMINAL 3 : BRASS
- SUPPORT : BRASS
- STOPPER : BRASS
- HOUSING : PA6T

MODEL NO.	A
SCHEMATIC	
CENTER PIN	$\phi 0.65\text{mm}$



DC MATE PLUG

		TOLERANCE UNLESS SPECIFIED WITHIN 1.5mm : ±0.1mm OVER 1.5mm : ±0.2mm	THESE DRAWINGS AND SPECIFICATIONS ARE THE PROPERTY OF DONGGUAN TIANDU TECHNOLOGY CO.,LTD. AND SHALL NOT BE REPRODUCED. COPIED OR USED IN ANY MANNER WITHOUT THE PRIOR WRITTEN CONSENT OF DONGGUAN TIANDU TECHNOLOGY CO., LTD	TITLE : DC POWER JACK		UNIT : mm	DRWG NO.: CMTDDZ-T12-056-0000		
				MODEL: T12-056-XX-A		SCALE: 3:1	DWN.	ERIC	2013-6-17
APPD.	DESCRIPTIONS OF REVISION			CMTDDZ 东莞市田都科技有限公司			CHK'D	MAIKO	2013-6-17
				DONGGUAN TIANDU TECHNOLOGY CO.,LTD.			APPD.	Coco	2013-6-17