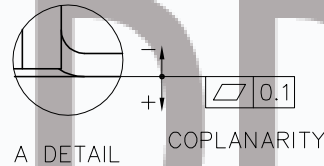
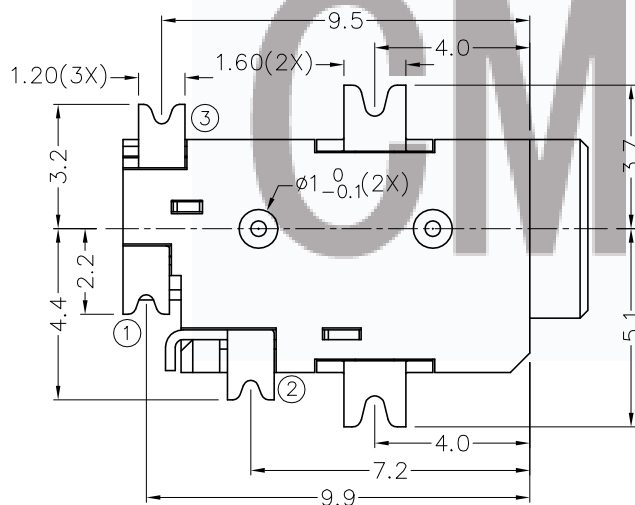
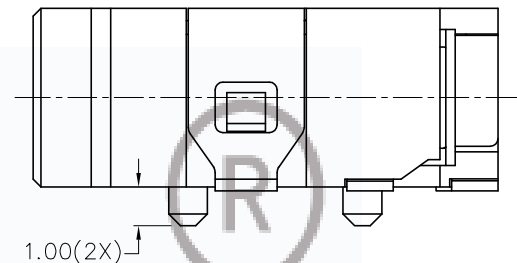
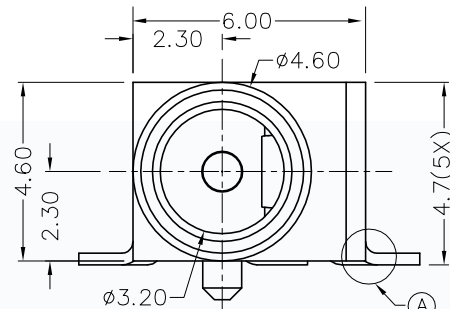
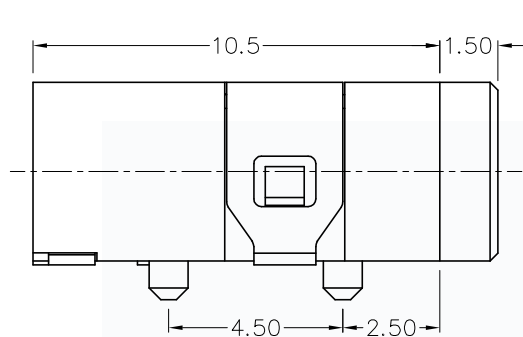
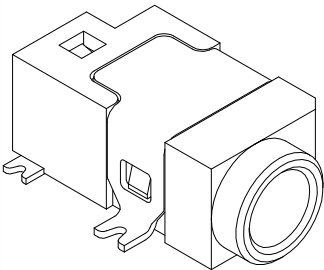
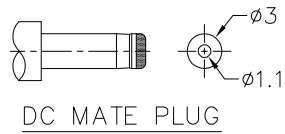
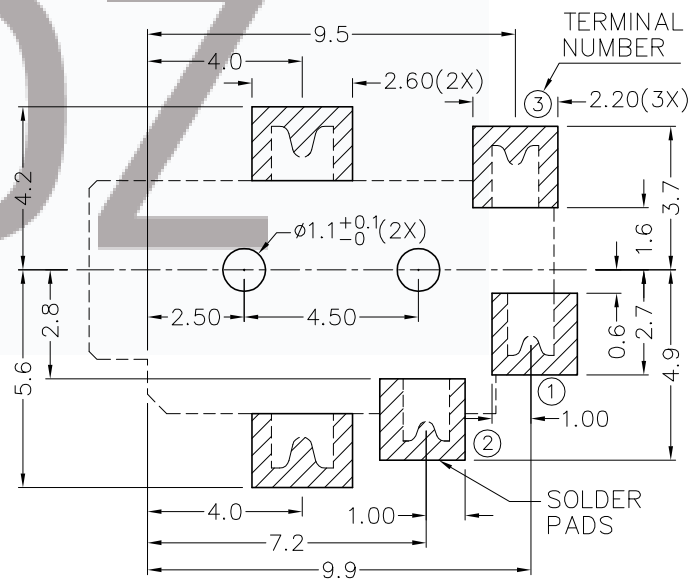


CAD FILE:



MODEL NO.	TDC-067DS
SCHEMATIC	1 3 2
CENTER PIN	φ1mm



\* MATERIAL

- TERMINAL 1 : BRASS
- TERMINAL 2 : COPPER ALLOY
- TERMINAL 3 : BRASS
- SHIELD : C.R.STEEL
- HOUSING : PA6T

APPD.	DESCRIPTIONS OF REVISION

<b>TOLERANCE</b> UNLESS SPECIFIED
WITHIN 1.5mm : ±0.1mm
OVER 1.5mm : ±0.2mm

THESE DRAWINGS AND SPECIFICATIONS ARE THE PROPERTY OF DONGGUAN TIANDU TECHNOLOGY CO.,LTD. AND SHALL NOT BE REPRODUCED. COPIED OR USED IN ANY MANNER WITHOUT THE PRIOR WRITTEN CONSENT OF DONGGUAN TIANDU TECHNOLOGY CO., LTD

<b>TITLE : DC POWER JACK</b>	<b>UNIT : mm</b>	<b>DRWG NO.: CMTDDZ-T12-052-0000</b>
<b>MODEL: T12-052-XX-A</b>	<b>SCALE: 3:1</b>	<b>DWN. ERIC 2013-6-17</b>
<b>CMTDDZ 东莞市田都科技有限公司</b>	<b>DONGGUAN TIANDU TECHNOLOGY CO.,LTD.</b>	<b>CHK'D MAIKO 2013-6-17</b>
		<b>APPD. Coco 2013-6-17</b>
