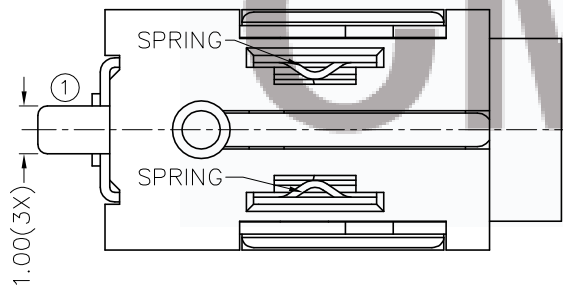
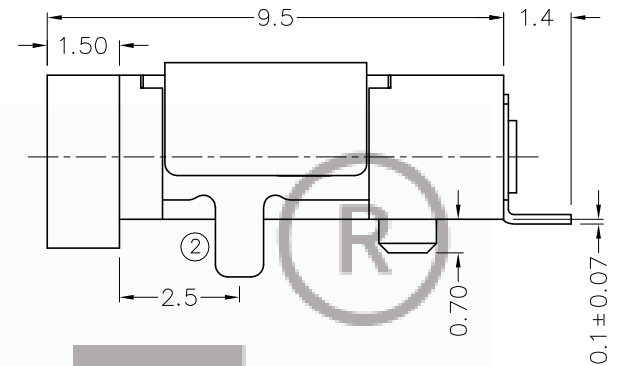
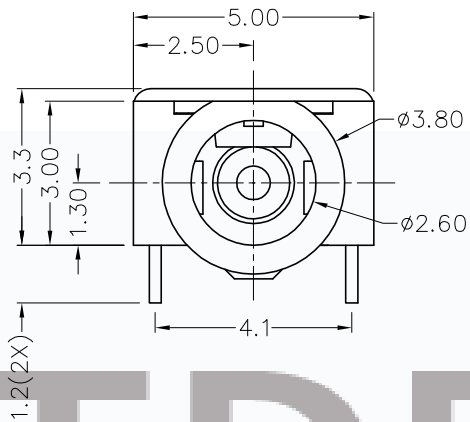
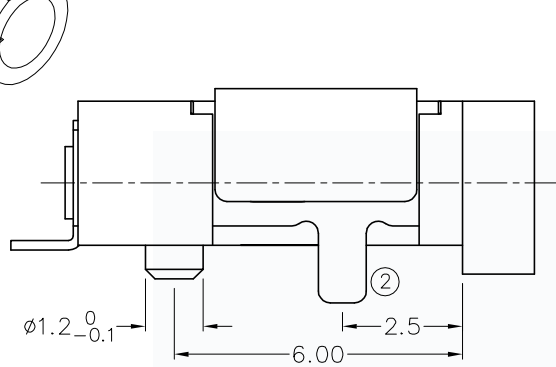
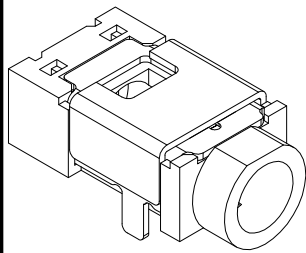
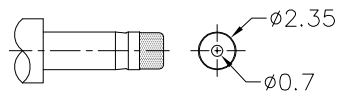
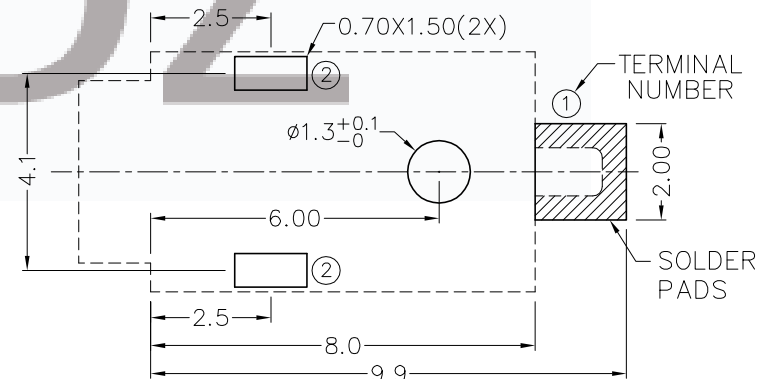


CAD FILE:



* MATERIAL

CENTRE PIN : COPPER
 TERMINAL 1 : BRASS
 TERMINAL 2 : COPPER ALLOY
 SPRING : STAINLESS STEEL
 SHIELD : BRASS
 HOUSING : PA6T



DC MATE PLUG

MODEL NO.	A
SCHEMATIC	
CENTER PIN	$\phi 0.65\text{mm}$

APPD.	DESCRIPTIONS OF REVISION

TOLERANCE UNLESS SPECIFIED
WITHIN 1.5mm : $\pm 0.1\text{mm}$
OVER 1.5mm : $\pm 0.2\text{mm}$

THESE DRAWINGS AND SPECIFICATIONS ARE THE PROPERTY OF DONGGUAN TIANDU TECHNOLOGY CO.,LTD. AND SHALL NOT BE REPRODUCED, COPIED OR USED IN ANY MANNER WITHOUT THE PRIOR WRITTEN CONSENT OF DONGGUAN TIANDU TECHNOLOGY CO., LTD

TITLE : DC POWER JACK
MODEL: T12-085A-XX-A
CMTDDZ 东莞市田都科技有限公司 DONGGUAN TIANDU TECHNOLOGY CO.,LTD.

UNIT : mm
SCALE: 3:1

DRWG NO.: CMTDDZ-T12-085A-0000
DWN. ERIC 2013-6-17
CHK'D MAIKO 2013-6-17
APPD. Coco 2013-6-17