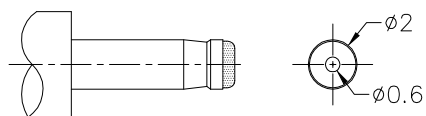
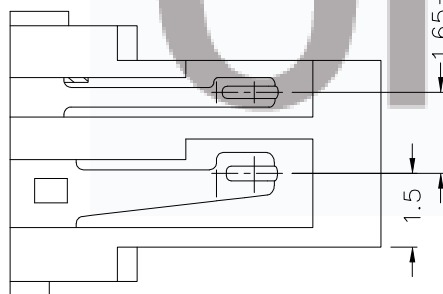
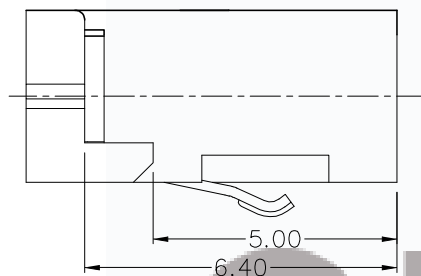
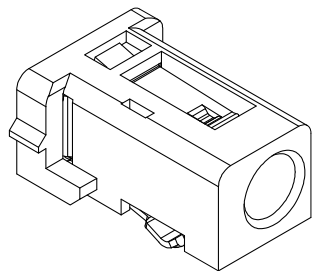
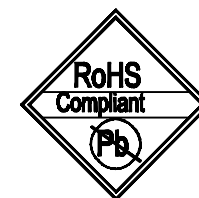
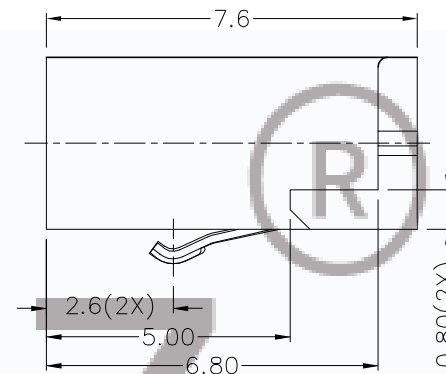
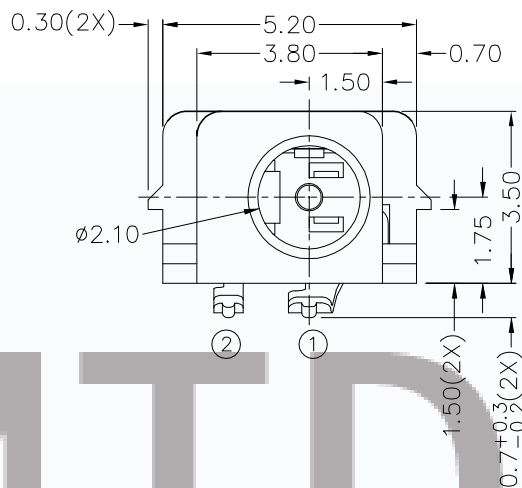


CAD FILE:

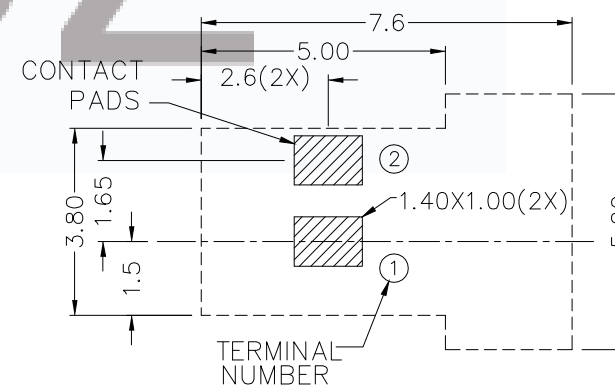


DC MATE PLUG



* MATERIAL

TERMINAL 1 : COPPER ALLOY
TERMINAL 2 : COPPER ALLOY
HOUSING : PA6T



MODEL NO.	A
SCHEMATIC	
CENTER PIN	φ0.5mm

RECOMMENDED
PCB LAYOUT

TOLERANCE
UNLESS SPECIFIED
WITHIN 1.5mm : ±0.1mm
OVER 1.5mm : ±0.2mm

THESE DRAWINGS AND SPECIFICATIONS
ARE THE PROPERTY OF DONGGUAN
TIANDU TECHNOLOGY CO.,LTD. AND
SHALL NOT BE REPRODUCED, COPIED
OR USED IN ANY MANNER WITHOUT
THE PRIOR WRITTEN CONSENT OF
DONGGUAN TIANDU TECHNOLOGY CO., LTD

TITLE : DC POWER JACK

UNIT : mm

DRWG NO.: CMTDDZ-T12-096-0000

MODEL: T12-096-XX-A

SCALE: 3:1

DWN. ERIC 2013-6-17

CMTDDZ 东莞市田都科技有限公司
DONGGUAN TIANDU TECHNOLOGY CO.,LTD.

CHK'D MAIKO 2013-6-17

APPD. Coco 2013-6-17

APPD. DESCRIPTIONS OF REVISION