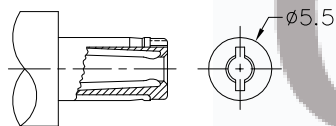
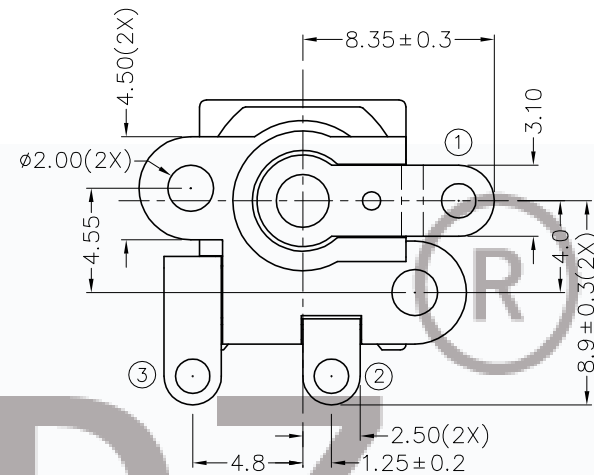
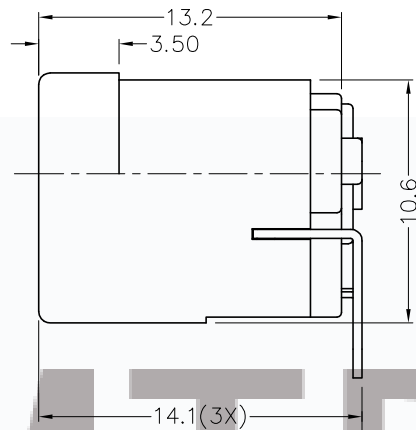
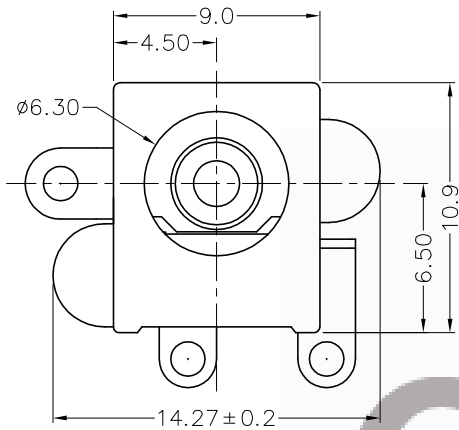


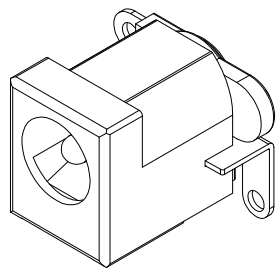
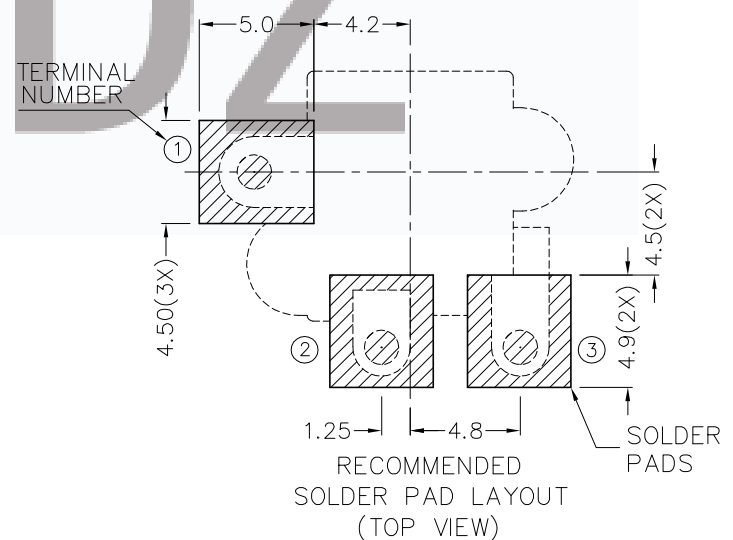
CAD FILE:



DC MATE PLUG

* MATERIAL
 CENTRE PIN : BRASS
 TERMINAL 1 : BRASS
 TERMINAL 2 : COPPER ALLOY
 TERMINAL 3 : BRASS
 HOUSING : PA6T
 COVER : PA6T

MODEL NO.	A
SCHEMATIC	
CENTER PIN	Ø2mm
	Ø2.5mm



APPD.	DESCRIPTIONS OF REVISION
-------	--------------------------

TOLERANCE UNLESS SPECIFIED
WITHIN 1.5mm : ±0.1mm
OVER 1.5mm : ±0.2mm

THESE DRAWINGS AND SPECIFICATIONS ARE THE PROPERTY OF DONGGUAN TIANDU TECHNOLOGY CO.,LTD. AND SHALL NOT BE REPRODUCED, COPIED OR USED IN ANY MANNER WITHOUT THE PRIOR WRITTEN CONSENT OF DONGGUAN TIANDU TECHNOLOGY CO., LTD

TITLE : DC POWER JACK
MODEL: T12-112-XX-A
CMTDDZ 东莞市田都科技有限公司 DONGGUAN TIANDU TECHNOLOGY CO.,LTD.

UNIT : mm
SCALE: 3:1

DRWG NO.: CMTDDZ-T12-112-0000
DWN. ERIC 2013-6-17
CHK'D MAIKO 2013-6-17
APPD. Coco 2013-6-17