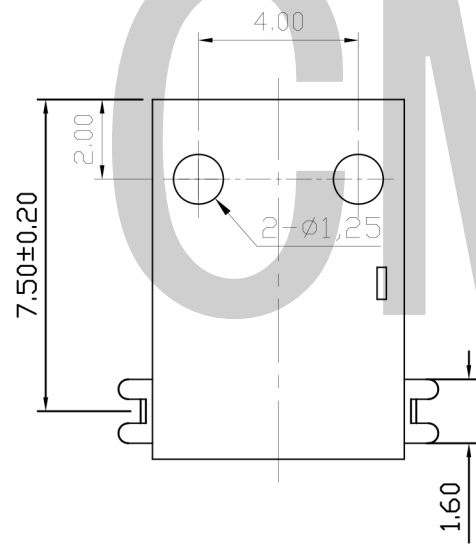
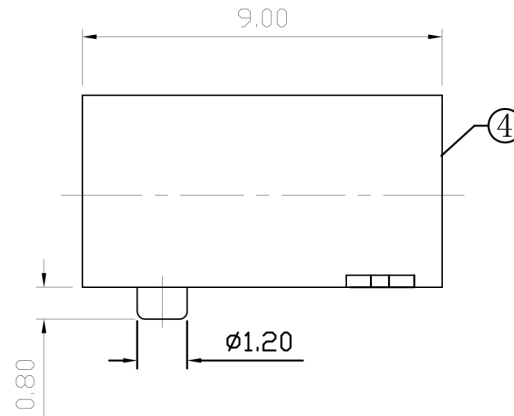
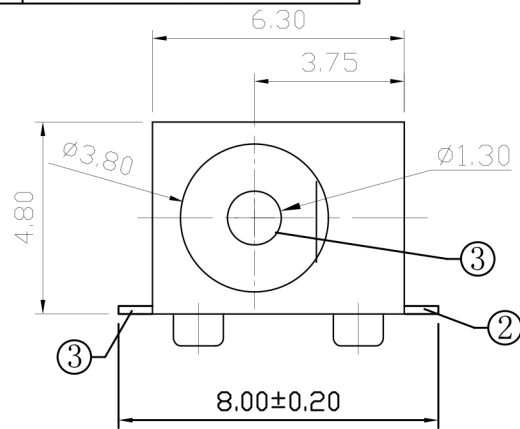
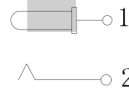




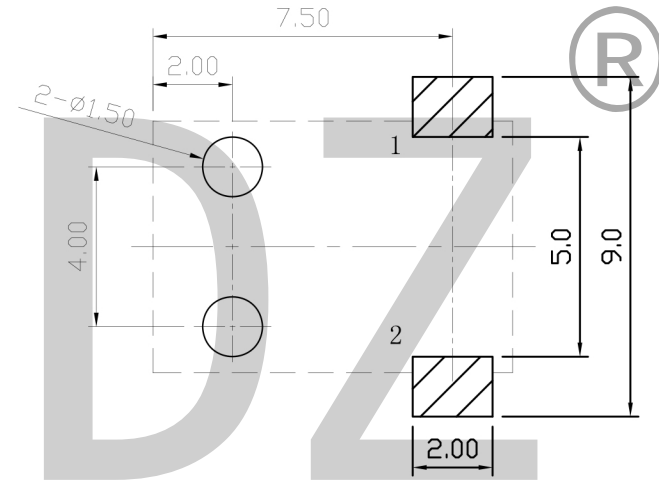
CAD FILE:



SCHEMATIC



P. C. B LAYOUT



## SPECIFICATION

1. Rating : DC 30V 0.5A;
2. Contact resistance:  $\leq 0.03\Omega$ ;
3. Insulation resistance:  $\geq 100M\Omega$  (DC250V);
4. Withstand voltage: 500VAC ;
5. Insertion and extraction force: 3-15N;
6. life test: 5,000 cycles.

NO.	DESCRIPTION	QTY	MATERIAL	PLATING	
4	HOUSING	1	PA9T		
3	PIN	1	BRASS	Ni-Plating	
2	SPRING PIECE	1	SUS301	Ag-Plating	
1	CURVE PIECE	1	BRASS	Ag-Plating	
TOLERANCE UNLESS SPECIFIED				DESCRIPTIONS OF REVISION	APPD.
WITHIN 1.5mm : $\pm 0.1mm$					
OVER 1.5mm : $\pm 0.2mm$					

TITLE : PC POWER JACK SOCKET			UNIT : mm		DRWG NO.: CMTDDZ-T12-047-0000	
MODEL: T12-047-XX-A			SCALE: 3:1		DWN.	ERIC
CMTDDZ 东莞市田都科技有限公司 DONGGUAN TIANDU TECHNOLOGY CO.,LTD.					CHK'D	MAIKO
					APPD.	Coco

RoHS  
Compliant  
(Pb)