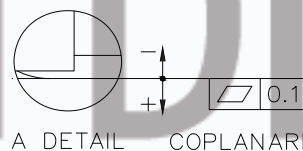
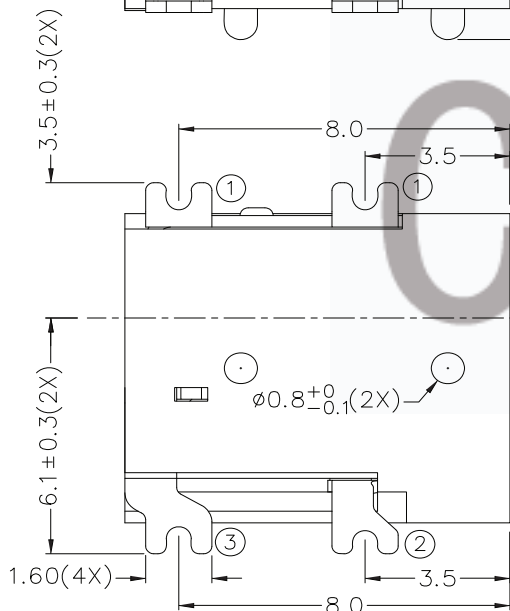
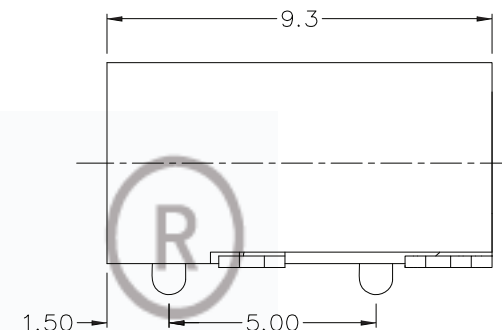
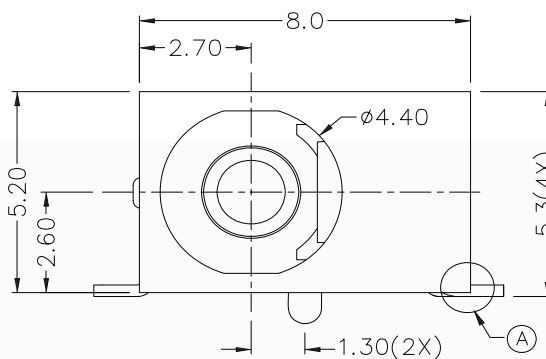
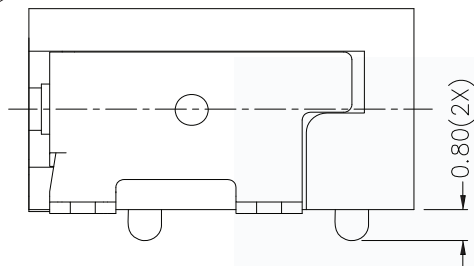
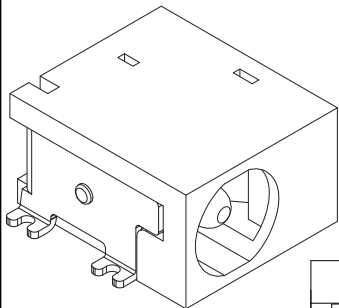


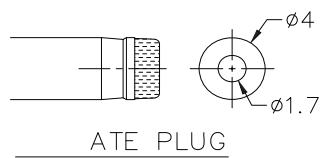
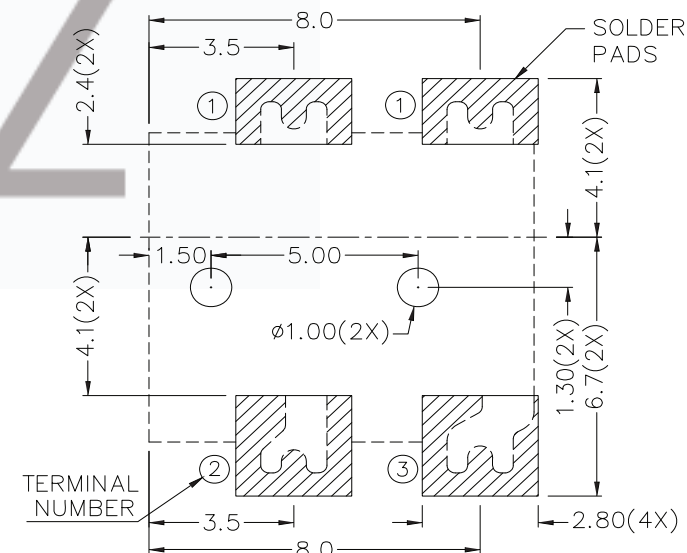
CAD FILE:



* MATERIAL:

- CENTRE PIN : COPPER
- TERMINAL 1 : BRASS
- TERMINAL 2 : COPPER ALLOY
- TERMINAL 3 : BRASS
- HOUSING : PA6T

MODEL NO.	A
SCHEMATIC	
CENTER PIN	Ø1.65mm



RECOMMENDED SOLDER PAD LAYOUT (TOP VIEW)

APPD.	DESCRIPTIONS OF REVISION

**TOLERANCE
UNLESS SPECIFIED**
 WITHIN 1.5mm : ±0.1mm
 OVER 1.5mm : ±0.2mm

THESE DRAWINGS AND SPECIFICATIONS ARE THE PROPERTY OF DONGGUAN TIANDU TECHNOLOGY CO.,LTD. AND SHALL NOT BE REPRODUCED, COPIED OR USED IN ANY MANNER WITHOUT THE PRIOR WRITTEN CONSENT OF DONGGUAN TIANDU TECHNOLOGY CO., LTD

TITLE : DC POWER JACK
MODEL: T12-033-XX-A
CMTDDZ 东莞市田都科技有限公司
 DONGGUAN TIANDU TECHNOLOGY CO.,LTD.

UNIT : mm	DRWG NO.: CMTDDZ-T12-033-0000	DWN.	ERIC	2013-6-17
SCALE: 3:1	CHK'D	MAIKO	2013-6-17	
	APPD.	Coco	2013-6-17	