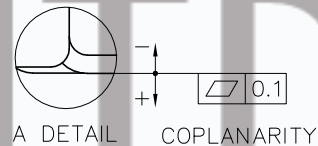
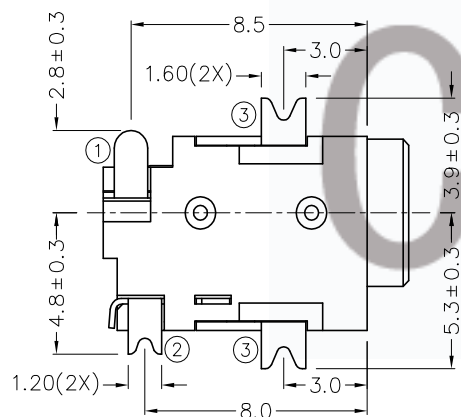
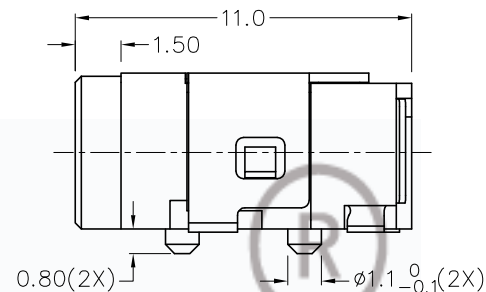
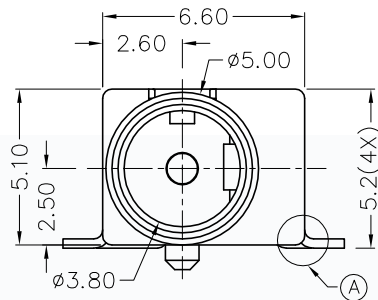
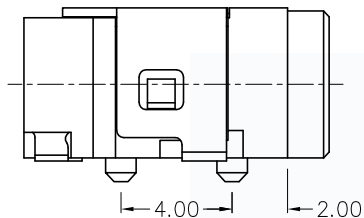
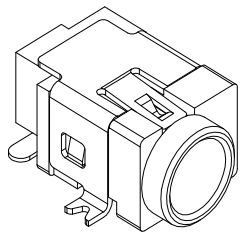
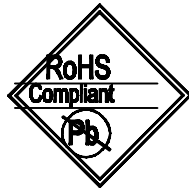
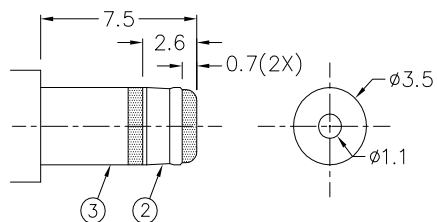
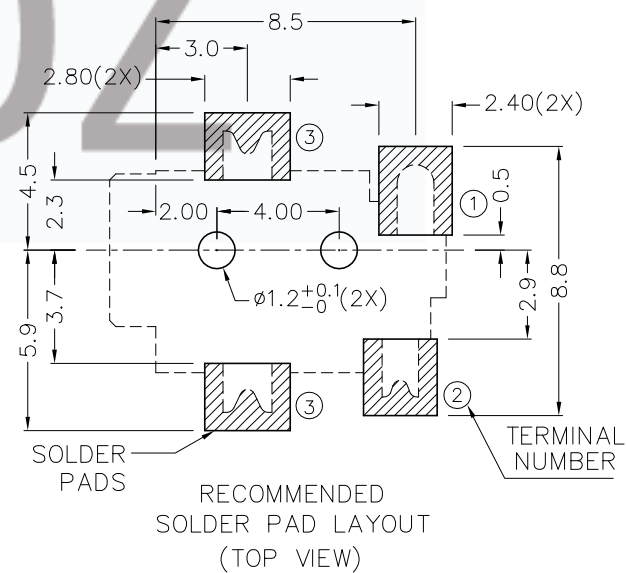


CAD FILE:



* MATERIAL

TERMINAL 1 : BRASS
 TERMINAL 2 : COPPER ALLOY
 TERMINAL 3 : COPPER ALLOY
 HOUSING : PA6T



DC MATE PLUG

MODEL NO.	TDC-060D
SCHEMATIC	1, 2, 3
CENTER PIN	ø1mm

		TOLERANCE UNLESS SPECIFIED WITHIN 1.5mm : ±0.1mm OVER 1.5mm : ±0.2mm	THESE DRAWINGS AND SPECIFICATIONS ARE THE PROPERTY OF DONGGUAN TIANDU TECHNOLOGY CO.,LTD. AND SHALL NOT BE REPRODUCED, COPIED OR USED IN ANY MANNER WITHOUT THE PRIOR WRITTEN CONSENT OF DONGGUAN TIANDU TECHNOLOGY CO., LTD	TITLE : DC POWER JACK	UNIT : mm	DRWG NO.: CMTDDZ-T12-031A-0000		
				MODEL: T12-031A-XX-A	SCALE: 3:1	DWN. ERIC 2013-6-17		
APPD.	DESCRIPTIONS OF REVISION			CMTDDZ 东莞市田都科技有限公司 DONGGUAN TIANDU TECHNOLOGY CO.,LTD.	CHK'D MAIKO 2013-6-17 APPD. Coco 2013-6-17			