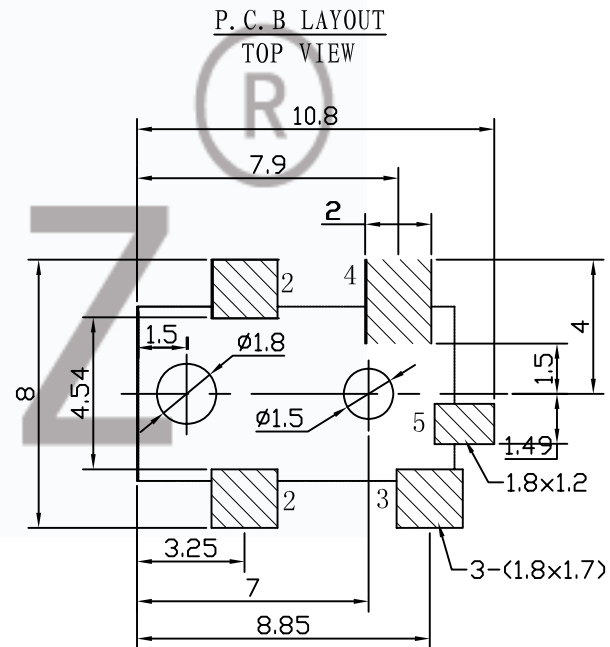
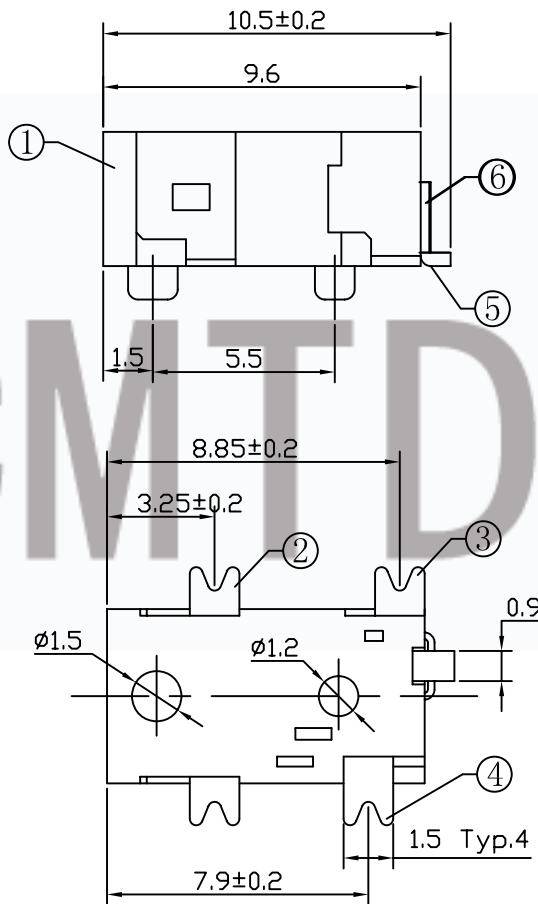
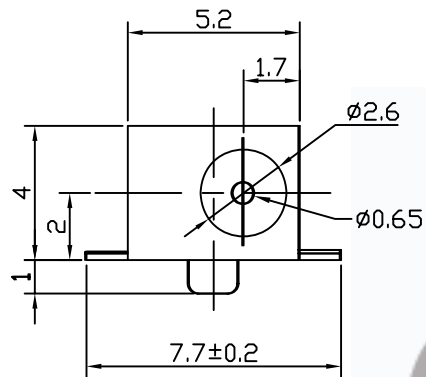
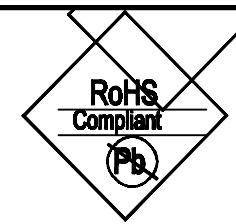
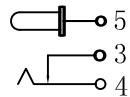


CAD FILE:



SCHEMATIC



SPECIFICATION

1. Rating : DC 30V 0.5A;
2. Contact resistance: $\leq 0.03\Omega$;
3. Insulation resistance: >math>\geq 100M\Omega</math> (DC250V);
4. Withstand voltage: 500VAC ;
5. Insertion and extraction force: 3-20N;
6. life test: 5,000 cycles.

6	CURVE PIECE	1	SUS301	Ag-Plating	TOLERANCE UNLESS SPECIFIED WITHIN 1.5mm :±0.1mm OVER 1.5mm : ±0.2mm THESE DRAWINGS AND SPECIFICATIONS ARE THE PROPERTY OF DONGGUAN TIANDU ELECTRONICS CO.,LTD. AND SHALL NOT BE REPRODUCED, COPIED OR USED IN ANY MANNER WITHOUT THE PRIOR WRITTEN CONSENT OF DONGGUAN TIANDU ELECTRONICS CO., LTD	DESCRIPTIONS OF REVISION APPD.	
5	PIN	1	BRASS	Ag-Plating			
4	SPRING	1	Be-Cu	Ag-Plating			
3	CURVE PIECE	1	BRASS	Ag-Plating			
2	CONTACT FOOT	1	BRASS	Ag-Plating			
1	HOUSING	1	PA46		TITLE : PC POWER JACK SOCKET UNIT : mm DRWG NO.: CMTDDZ-T12-041-0000		
NO.	DESCRIPTION	QTY	MATERIAL	PLATING	MODEL: T12-041-XX-A SCALE: 3:1 DWN. ERIC 2013-6-17		
						CMTDDZ 东莞市田都科技有限公司 CHK'D MAIKO 2013-6-17 DONGGUAN TIANDU TECHNOLOGY CO.,LTD. APPD. Coco 2013-6-17	