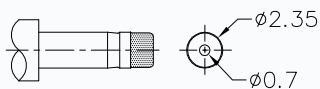
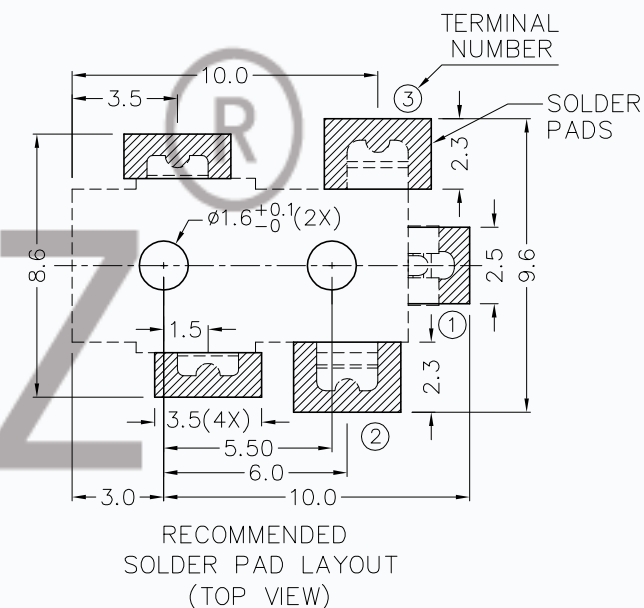
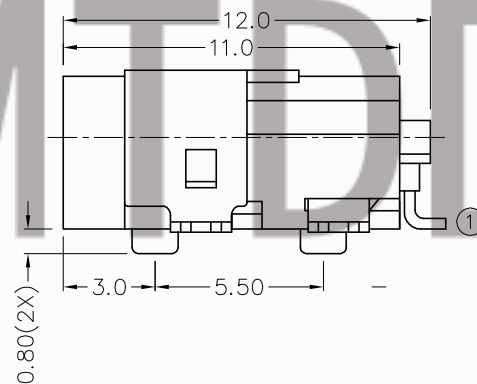
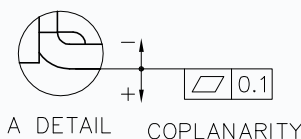
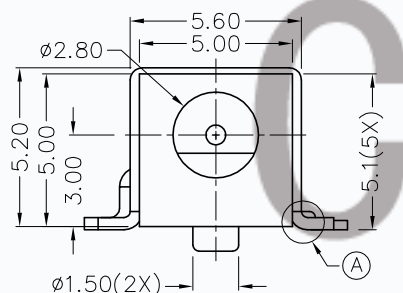
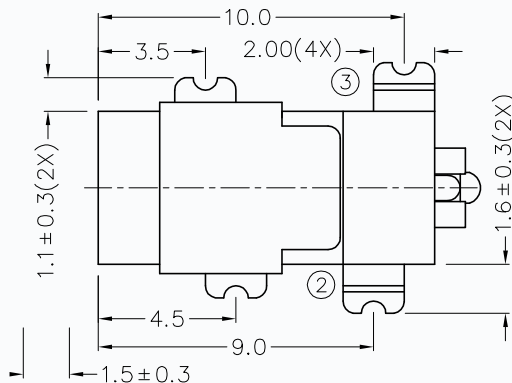
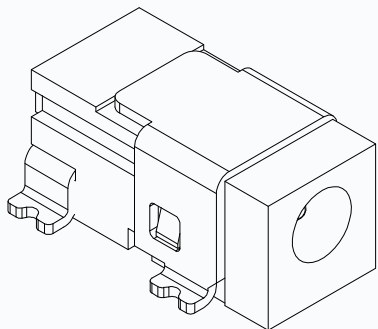


CAD FILE:



DC MATE PLUG

MODEL NO.	A
SCHEMATIC	
CENTER PIN	ø0.65mm

* MATERIAL

- TERMINAL 1 : BRASS
- TERMINAL 2 : COPPER ALLOY
- TERMINAL 3 : BRASS
- SHIELD : COLD ROLLED STEEL
- HOUSING : PA6T

		TOLERANCE UNLESS SPECIFIED	THESE DRAWINGS AND SPECIFICATIONS ARE THE PROPERTY OF DONGGUAN TIANDU TECHNOLOGY CO.,LTD. AND SHALL NOT BE REPRODUCED. COPIED OR USED IN ANY MANNER WITHOUT THE PRIOR WRITTEN CONSENT OF DONGGUAN TIANDU TECHNOLOGY CO., LTD	TITLE : DC POWER JACK	UNIT : mm	DRWG NO.: CMTDDZ-T12-011C-0000		
		WITHIN 1.5mm : ±0.1mm		MODEL: T12-011C-XX-A	SCALE: 3:1	DWN.	ERIC	2013-6-17
		OVER 1.5mm : ±0.2mm		CMTDDZ 东莞市田都科技有限公司		CHK'D	MAIKO	2013-6-17
APPD.	DESCRIPTIONS OF REVISION			DONGGUAN TIANDU TECHNOLOGY CO.,LTD.		APPD.	Coco	2013-6-17