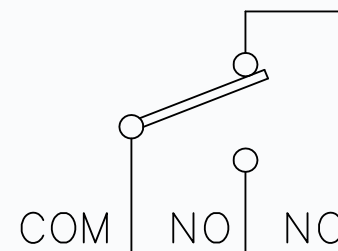
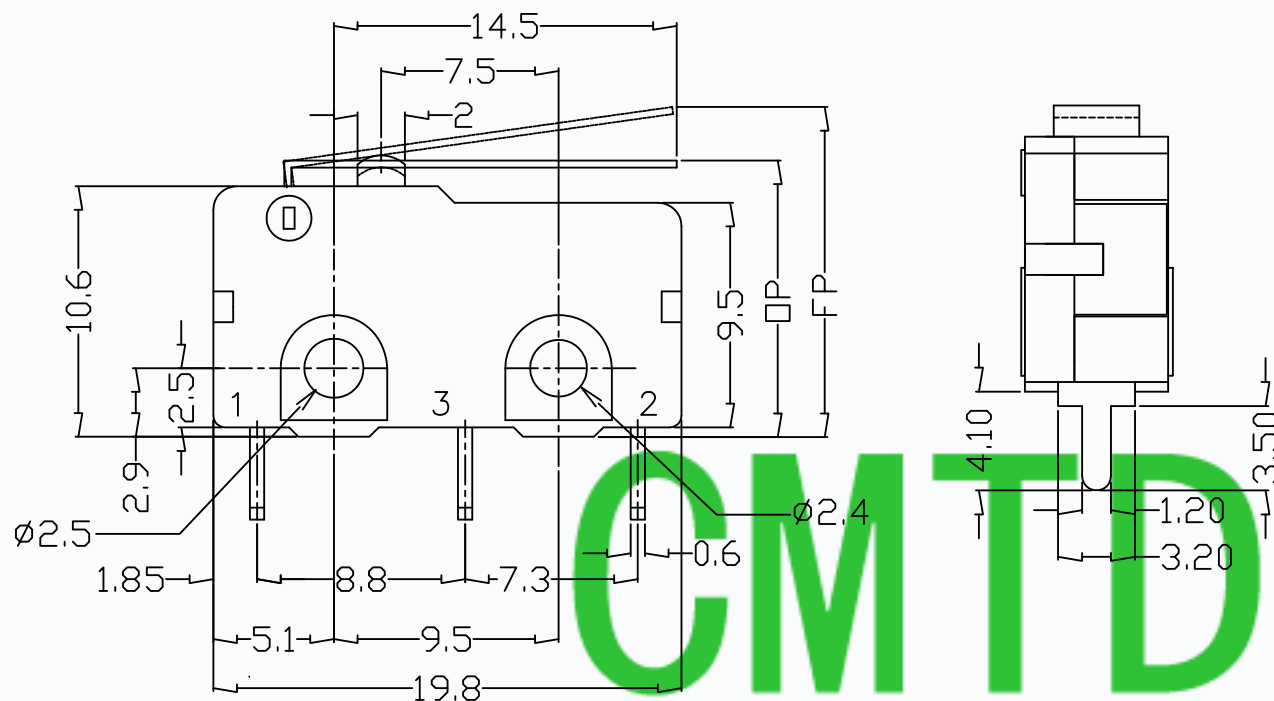


CAD FILE:

DIMENSIONS



CIRCUIT DIAGRAM



MODEL CODE

CM X-00 XX-X S-XX
1 2 3 4 5 6 7

1. Series: CM

2. Current Rating: 5=5A 125/250VAC
3=3A 125/250VAC

3. Actuator: 00=Non-Lever
01-99=Lever

4. Termination: see chart (N/P/C/D/L)
(2=SPST-NO/3=SPST-NC)

5. Operating Force: see chart

6. Spring Material: S=SUS304

7. Number

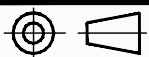
1.Functional spec

| | |
|------------------------|-------------------------|
| 1.1 Rated Voltage | 125/250VAC |
| 1.2 Rated Current | 5A |
| 1.3 Contact Resistance | ≤100mΩ(Initial value) |
| 1.4 Operating Force | 30±12gf/45±20gf/60±25gf |
| 1.5 Free Position | 14.0±0.8mm |
| 1.6 Operating Position | 12.0±0.8mm |

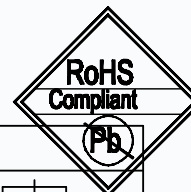
2.Reliable Rating

| | |
|---------------------------|---------------------------------|
| 2.1 Mechanical Life | 1,000,000CYCLES |
| 2.2 Electrical Life | 10,000CYCLES |
| 2.3 Insulation Resistance | ≥100MΩ DC500V(Initial value) |
| 2.4 Withstand Voltage | AC1,000V 1minute(Initial value) |
| 2.5 Soldering Temper | 250℃ Max 3Sec |
| 2.6 Ambient Humidity Used | <85%RH |

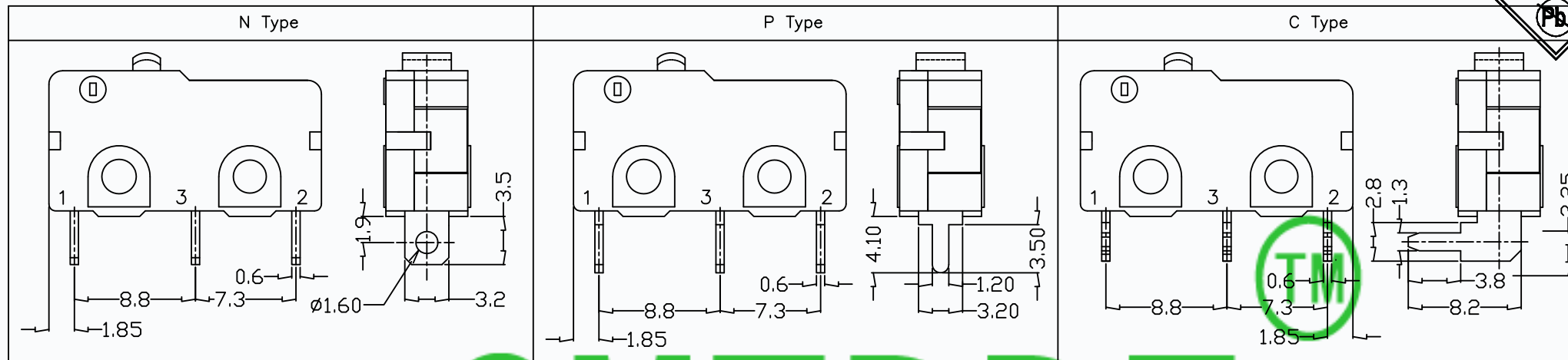
| TOLERANCE UNLESS SPECIFIED | | | | |
|--|-------|-----------|-------------------------------|------------------|
| TOLERANCE : ±0.2mm | A | 2014-8-29 | TIANDU ELECTRONICS | |
| | ISSUE | DATE | DESCRIPTIONS OF REVISION | APPD. |
| TITLE : MICRO SWITCH | | UNIT : mm | DRWG NO.:TDU-CM5-00P-XS-01226 | |
| MODEL:SEE TABLE | | SCALE:3:1 | DWN. | ERIC 2012-12-12 |
| CMTDDZ 东莞市田都电子有限公司 | | | CHK'D | MAIKO 2012-12-12 |
| DONGGUANSHI TIANDU ELECTRONIC CO.,LTD. | | | APPD | Coco 2012-12-12 |



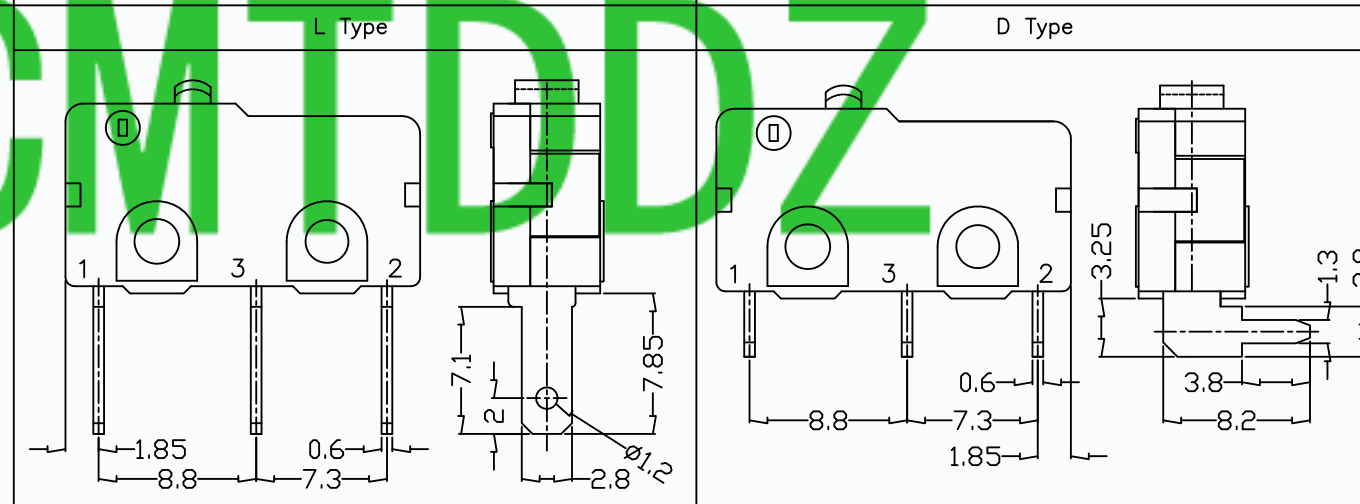
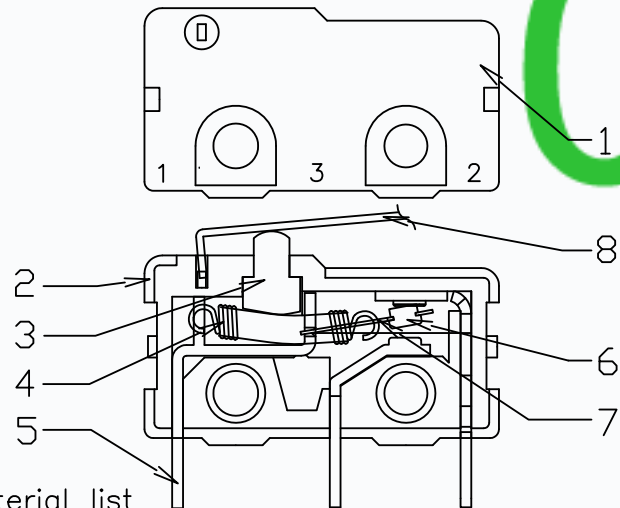
CAD FILE:



Terminal Type



Structure chart



Material list

| | | | | | | | | | |
|-----|---------------|-----------------|------|--------|--|-------|-----------|--------------------------|-------------------------------|
| 8 | Lever | SUS301 | | | TOLERANCE UNLESS SPECIFIED | | | | |
| 7 | Change Plate | C5210 | 1 | | TOLERANCE : ±0.2mm | A | 2014-8-29 | TIANDU ELECTRONICS | |
| 6 | Contact | Compound silver | 1 | | | ISSUE | DATE | DESCRIPTIONS OF REVISION | |
| 5 | Terminal | C2680 | 3 | | TITLE : MICRO SWITCH | | | UNIT : mm | DRWG NO.:TDU-CM5-00P-XS-01226 |
| 4 | Spring | SUS304 | 1 | | MODEL:SEE TABLE | | | SCALE:3:1 | DWN. ERIC 2012-12-12 |
| 3 | Button | PBT | 1 | | CMTDDZ 东莞市田都电子有限公司 DONGGUANSHI TIANDU ELECTRONIC CO.,LTD. | | | CHK'D | MAIKO 2012-12-12 |
| 2 | Lower Housing | PBT | 1 | | | | | APPD | Coco |
| 1 | Upper Housing | PBT | 1 | | | | | | |
| NO. | PARTS | MATERIALS | Q'TY | FINISH | | | | | |