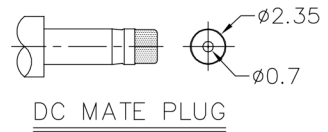
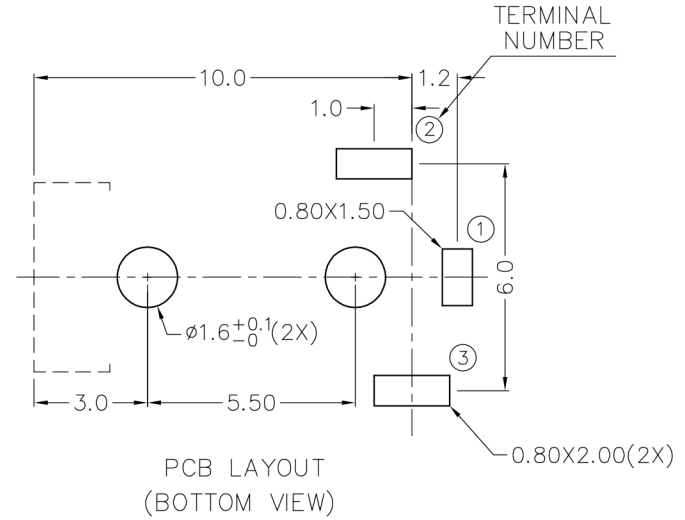
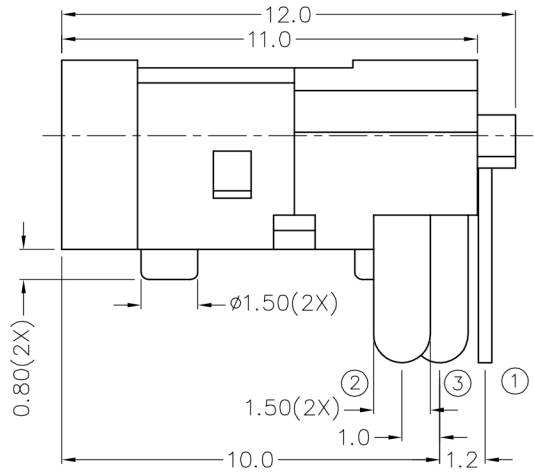
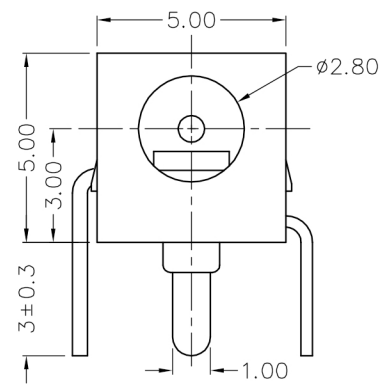
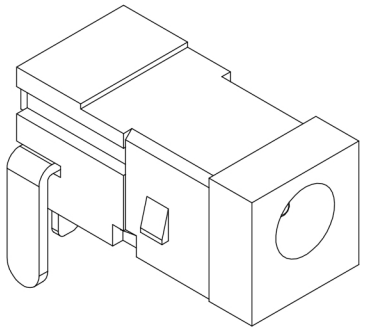


RoHS
Compliant

C		B		A	
ZONE	SYMBOL	REVISION	APPROVAL	DATE	



MODEL NO.	T12-011-06-A
SCHEMATIC	
CENTER PIN	∅0.65mm

* MATERIAL
 TERMINAL 1 : BRASS
 TERMINAL 2 : COPPER ALLOY
 TERMINAL 3 : BRASS
 HOUSING : PA66

TOLERANCE
UNLESS SPECIFIED
 WITHIN 1.5mm : ±0.1mm
 OVER 1.5mm : ±0.2mm

THESE DRAWINGS AND SPECIFICATIONS ARE THE PROPERTY OF DONGGUAN TIANDU TECHNOLOGY CO.,LTD. AND SHALL NOT BE REPRODUCED, COPIED OR USED IN ANY MANNER WITHOUT THE PRIOR WRITTEN CONSENT OF DONGGUAN TIANDU ELECTRONICS CO., LTD.

TITLE : DC POWER JACK
 MODEL: T12-011-XX-A

UNIT : mm	DRWG NO.:CMTDDZ-T12-011-0000		
SCALE: 3:1	DWN.	ERIC	2013-6-17
	CHK'D	MAIKO	2013-6-17
	APPD.	Coco	2013-6-17

CMTDDZ 东莞市田都科技有限公司
 DONGGUAN TIANDU TECHNOLOGY CO.,LTD.

APPD.	DESCRIPTIONS OF REVISION