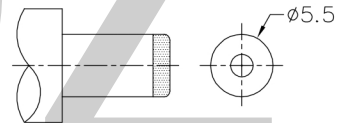
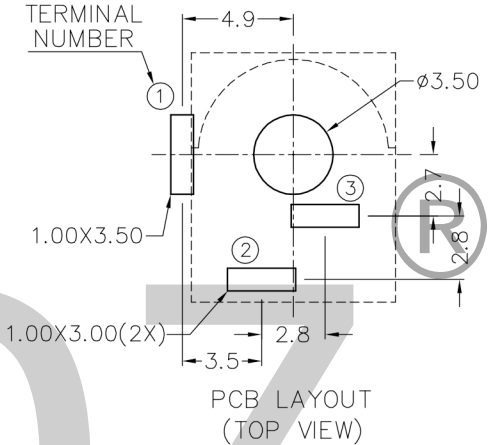
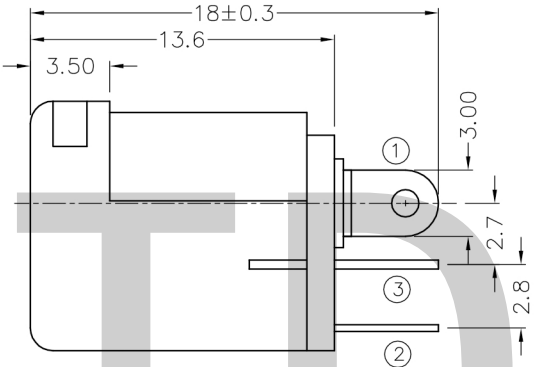
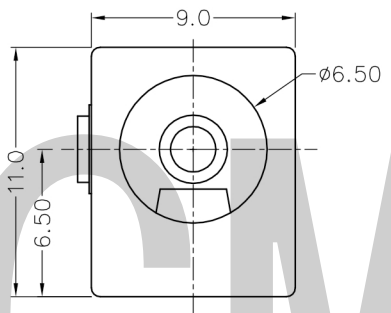
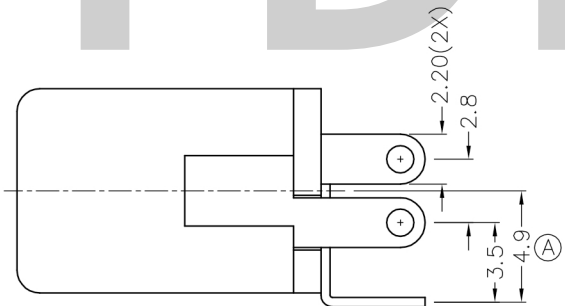


RoHS  
Compliant

ZONE	SYMBOL	REVISION	APPROVAL	DATE
C3	(A)	5.0 MODIFIED TO 4.9	J.X.KUANG	13-11-2009



MODEL NO.	T12-012C
SCHEMATIC	
CENTER PIN	ø2mm
	ø2.5mm



**\* MATERIAL**  
 CENTRE PIN : COPPER  
 TERMINAL 1 : BRASS  
 TERMINAL 2 : COPPER ALLOY  
 TERMINAL 3 : BRASS  
 HOUSING : PBT  
 COVER : PBT

APPD.	DESCRIPTIONS OF REVISION	<b>TOLERANCE UNLESS SPECIFIED</b> WITHIN 1.5mm : ±0.1mm OVER 1.5mm : ±0.2mm	THESE DRAWINGS AND SPECIFICATIONS ARE THE PROPERTY OF DONGGUAN TIANDU TECHNOLOGY CO.,LTD. AND SHALL NOT BE REPRODUCED. COPIED OR USED IN ANY MANNER WITHOUT THE PRIOR WRITTEN CONSENT OF DONGGUAN TIANDU ELECTRONICS CO., LTD.	TITLE : DC POWER JACK		UNIT : mm	DRWG NO.: CMTDDZ-T12-012C-0000			
	MODEL: T12-012C-XX-A			SCALE: 3:1	DWN.	ERIC	2013-6-17			
	CMTDDZ 东莞市田都科技有限公司			DONGGUAN TIANDU TECHNOLOGY CO.,LTD.		CHK'D	MAIKO	2013-6-17		
						APPD.	Coco	2013-6-17		