

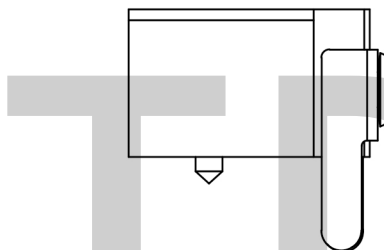
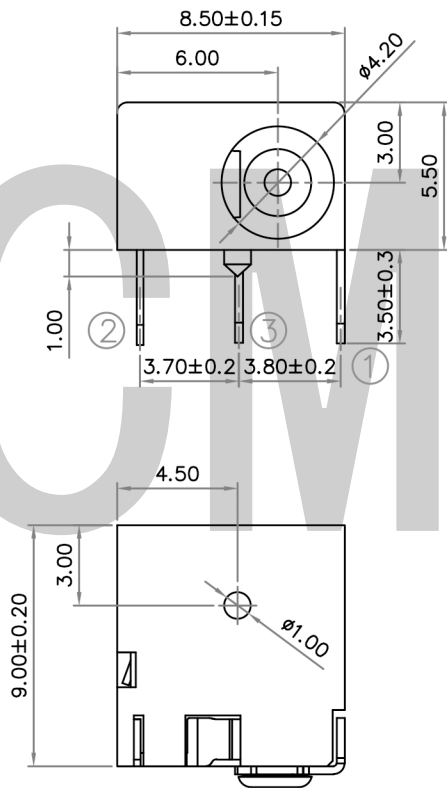
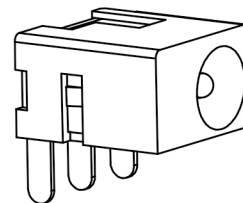
4				
3				
2				
1				
ZONE	REV	DESCRIPTION	DATE	APPD.

ORDER INFORMATION :
DC-011-1.0-S011

Center Pin : 1.0mm

R&D發行
2016.12.12
達立

RoHS
Compatible



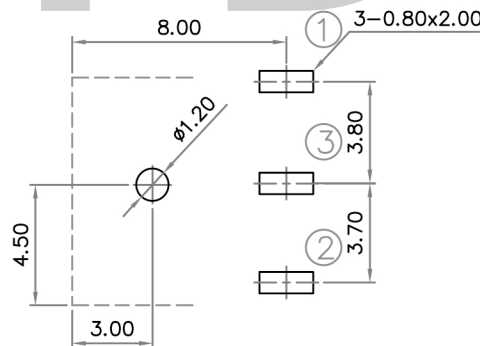
MATERIAL :

Terminal 1 : Brass, Sn Plated
Terminal 2 : Copper alloy, Sn Plated
Terminal 3 : Brass, Sn Plated
Housing : PBT
Center Pin : Copper, Ni Plated

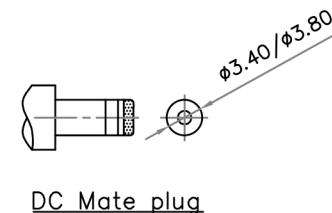
SPECIFICATIONS

1. Rating : DC 16V, 2A.
2. Contact resistance : 50mΩ at initial.
3. Insulation resistance : 100MΩ at initial.
4. Operating life: 5,000 cycles

**RECOMMENED P.C.B MOUNTING
PATTERN DIMENSION**



Schematic	1 3 2
Center Pin	∅1.0mm



APPD.	DESCRIPTIONS OF REVISION
-------	--------------------------

**TOLERANCE
UNLESS SPECIFIED**
WITHIN 1.5mm : ±0.1mm
OVER 1.5mm : ±0.2mm

THESE DRAWINGS AND SPECIFICATIONS ARE THE PROPERTY OF DONGGUAN TIANDU TECHNOLOGY CO.,LTD. AND SHALL NOT BE REPRODUCED. COPIED OR USED IN ANY MANNER WITHOUT THE PRIOR WRITTEN CONSENT OF DONGGUAN TIANDU ELECTRONICS CO., LTD

TITLE : DC POWER JACK
MODEL: T12-006-XX-A
CMTDDZ 东莞市田都科技有限公司
DONGGUAN TIANDU TECHNOLOGY CO.,LTD.

UNIT : mm	DRWG NO.:CMTDDZ-T12-006-0000
SCALE: 3:1	DWN. ERIC 2013-6-17
	CHK'D MAIKO 2013-6-17
	APPD. Coco 2013-6-17