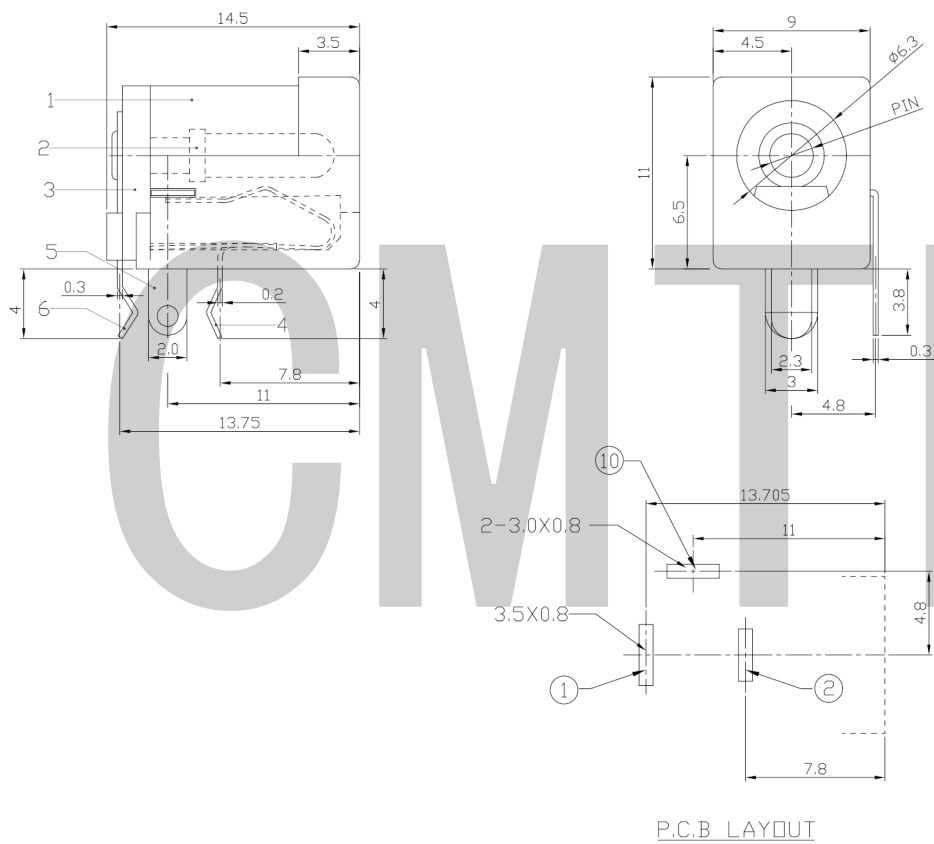




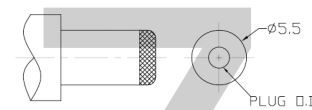
RoHS
Compliant
2002/95/EC

| REV. | ECN. | NO. | APPD. |
|------|------|-----|-------|
| | | | |
| | | | |

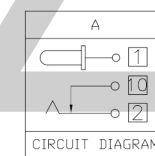
DIMENSIONS



- Specification:
- 1.Rating : DC 30V 0.3A.
 - 2.Contact resistance : $\leq 100m\Omega$
 - 3.Insulation resistance : $\geq 100M\Omega$ (500VDC).
 - 4.Withstanding voltage : 500VAC .
 - 5.Insertion and extraction force: 0.3~3Kgs.
 - 6.life test: 5000cycles min.
 - 7.Operation temperature range:-25°C~85°C



DC MATE PLUG



| | | | |
|------------|------------------------|------------------------|------------------------|
| Model No. | T12-005D-20 | T12-005D-23 | T12-005D-25 |
| CENTER PIN | $\phi 2.0$ | $\phi 2.35$ | $\phi 2.5$ |
| PLUG O.D. | $2.05^{+0.10}_{-0.00}$ | $2.40^{+0.10}_{-0.00}$ | $2.55^{+0.10}_{-0.00}$ |

Bill of materials:

| NO. | PARTS | MATERIAL | Q'TY | FINISHING |
|-----|-----------------|-------------|------|-----------|
| 6 | TERMINAL | BRASS STRIP | 1 | Ag PLATED |
| 5 | TERMINAL | BRASS STRIP | 1 | Ag PLATED |
| 4 | SPRING TERMINAL | SUS | 1 | Ag PLATED |
| 3 | COVER | PA66 | 1 | BLACK |
| 2 | PLUG PIN | BRASS | 1 | Ni PLATED |
| 1 | CASE | PA66 | 1 | BLACK |

| | | | | | |
|--|---|-------------------|---------------------------------|---------------------------------------|------------------|
| TOLERANCE UNLESS SPECIFIED WITHIN 1.5mm : $\pm 0.1mm$ OVER 1.5mm : $\pm 0.2mm$ | THESE DRAWINGS AND SPECIFICATIONS ARE THE PROPERTY OF DONGGUAN TIANDU ELECTRONICS CO.,LTD. AND SHALL NOT BE REPRODUCED, COPIED OR USED IN ANY MANNER WITHOUT THE PRIOR WRITTEN CONSENT OF DONGGUAN TIANDU ELECTRONICS CO., LTD | | DESCRIPTIONS OF REVISION | | APPD. |
| | TITLE : DC JACK | | UNIT : mm | DRWG NO.: CMTDDZ-T12-005D-0000 | |
| MODEL: T12-005D-XX-A | | SCALE: 3:1 | DWN. ERIC | 2013-6-17 | 2013-6-17 |
| CMTDDZ 东莞市田都电子有限公司 DONGGUAN TIANDU ELECTRONICS CO.,LTD. | | APPD. Coco | 2013-6-17 | 2013-6-17 | 2013-6-17 |