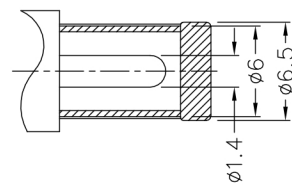
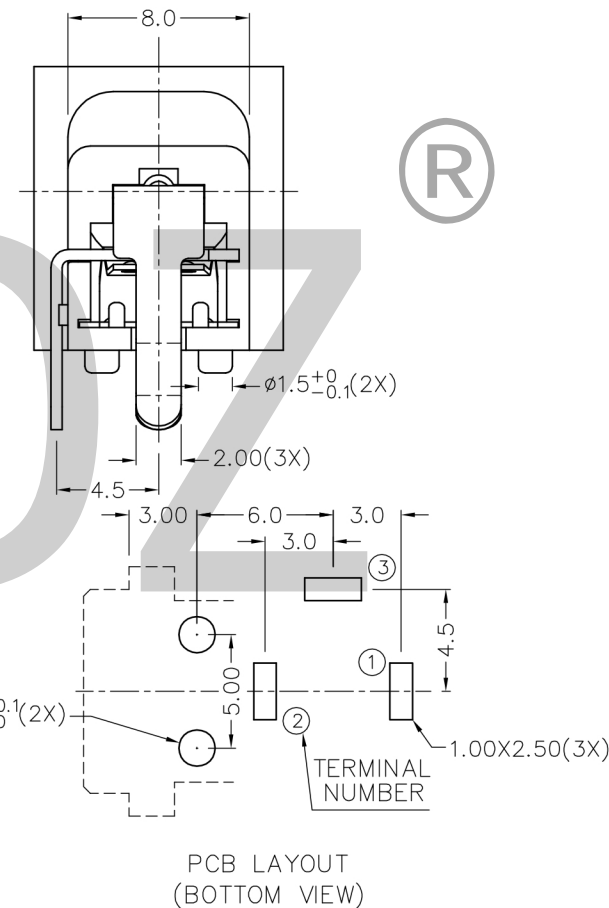
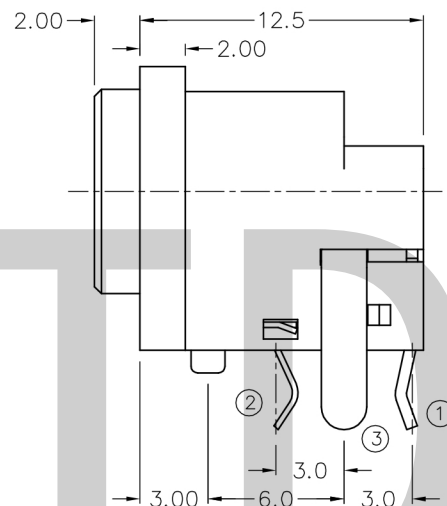
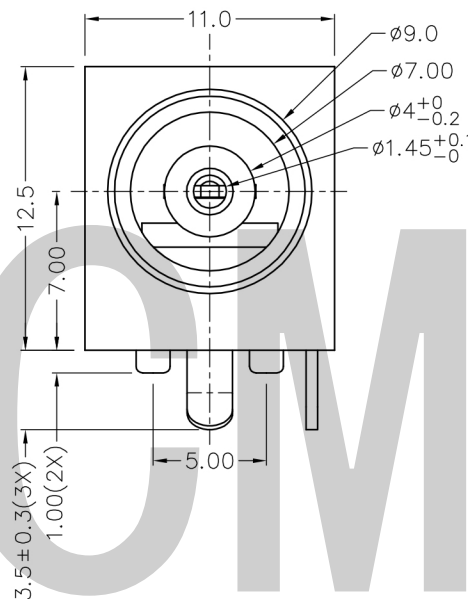


RoHS  
Compliant

C		B		A	
ZONE	SYMBOL	REVISION	APPROVAL	DATE	



DC MATE PLUG

\* MATERIAL

- TERMINAL 1 : BRASS
- TERMINAL 2 : COPPER ALLOY
- TERMINAL 3 : BRASS
- HOUSING : PBT

MODEL NO.	A
SCHEMATIC	

TOLERANCE  
UNLESS SPECIFIED  
WITHIN 1.5mm : ±0.1mm  
OVER 1.5mm : ±0.2mm

THESE DRAWINGS AND SPECIFICATIONS ARE THE PROPERTY OF DONGGUAN TIANDU TECHNOLOGY CO.,LTD. AND SHALL NOT BE REPRODUCED, COPIED OR USED IN ANY MANNER WITHOUT THE PRIOR WRITTEN CONSENT OF DONGGUAN TIANDU ELECTRONICS CO., LTD.

TITLE : DC POWER JACK

UNIT : mm

DRWG NO.: CMTDDZ-T12-038-0000

MODEL: T12-038-XX-A

SCALE: 3:1

DWN. ERIC 2013-6-17

**CMTDDZ** 东莞市田都科技有限公司  
DONGGUAN TIANDU TECHNOLOGY CO.,LTD.

CHK'D MAIKO 2013-6-17

APPD. Coco 2013-6-17

APPD. DESCRIPTIONS OF REVISION