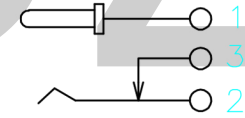
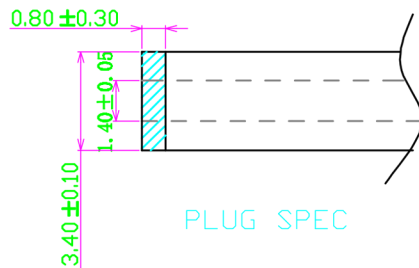
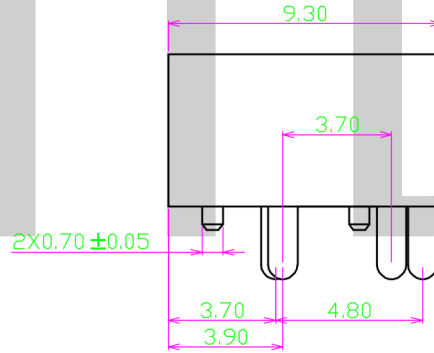
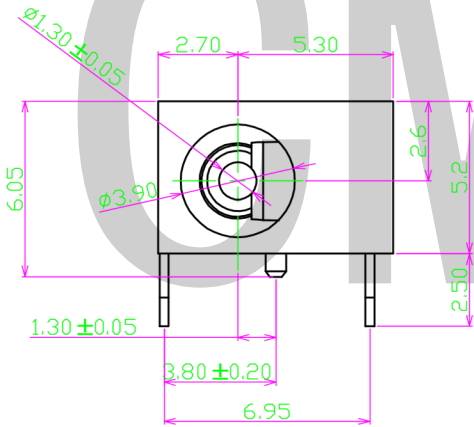


PCB LAYOUT TOP VIEW



CIRCUIT DIAGRAM



PLUG SPEC

⑤	HOUSING	1	PPA	Black
④	PIN	1	BRASS	Ag-Plating
③	TERMINAL	1	BRASS	Ag-Plating
②	TERMINAL	1	PHOSPHOR BRONZE	Ag-Plating
①	TERMINAL	1	BRASS	Ag-Plating

No.	PART NAME	QTY	MATERIAL (THICK, COLOR)	REMARK
DSND	chen	DATE	2010. 03. 19	SCALE: 1 : 1
CHKD		DATE		VIEW:
APVD		DATE		UNIT: mm
NAME: DC POWER JACK				CAT. NO. T12-033A-XX-A ROHS
DWN. NO.				BO

东莞市田都电子有限公司