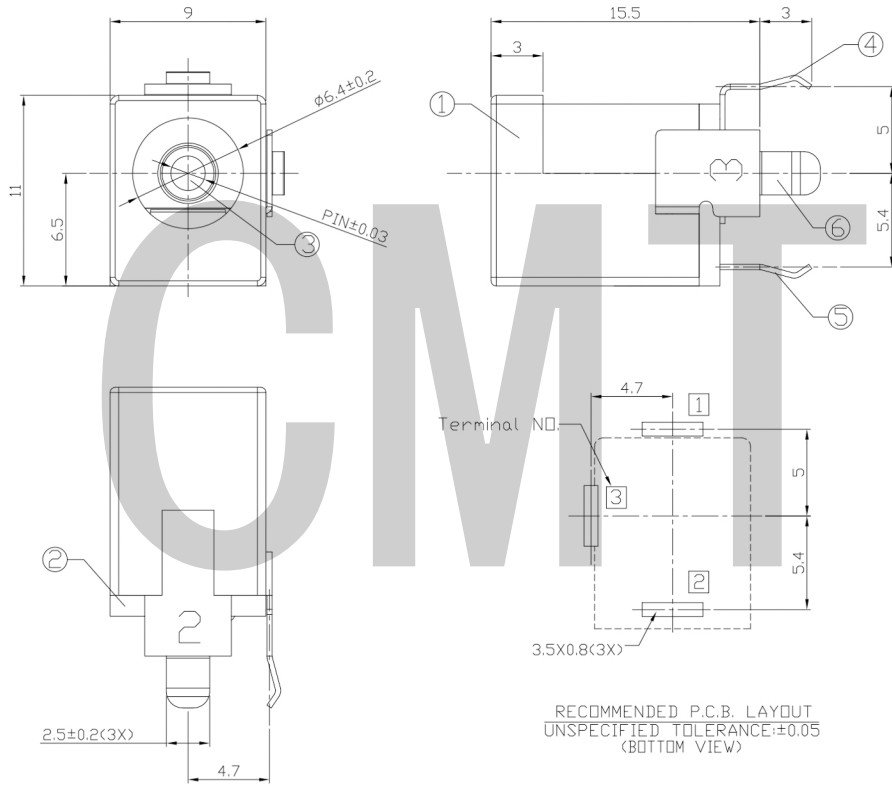




RoHS
Compliant
2002/95/EC

REV.	ECN.	NO.	APPD.

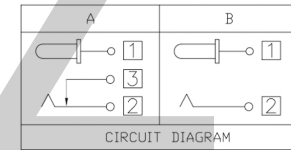
DIMENSIONS



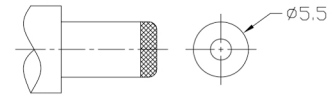
RECOMMENDED P.C.B. LAYOUT
UNSPECIFIED TOLERANCE: ± 0.05
(BOTTOM VIEW)

Specification:

1. Rating : DC 20V 2.5A.
2. Contact resistance : $\leq 30m\Omega$
After test: $\leq 50m\Omega$
3. Insulation resistance : $\geq 100M\Omega$ (500VDC).
After test: $\geq 50M\Omega$
4. Withstanding voltage: 500VAC
5. Insertion and extraction force: 3N~30N.
6. Life test: 5000cycles min.
7. Operation temperature range: $-20^{\circ}C \sim 70^{\circ}C$.
8. Preservative temperature range: $-40^{\circ}C \sim 85^{\circ}C$.



Model No.	H	I	J
CENTER PIN	$\phi 2.0$	$\phi 2.35$	$\phi 2.5$



DC MATE PLUG

○: ITEM NO. □: TERMINAL NO.

NO.	PARTS	MATERIAL	Q'TY	FINISHING
⑥	Shunt terminal ③	Brass t=0.3	1	Tin plating
⑤	Tip spring ②	Phosphor bronze t=0.3	1	Tin plating
④	Center pin terminal ①	Brass t=0.3	1	Tin plating
③	Center pin ①	Copper alloy	1	Nickel plating
②	Cover	PF	1	
①	Housing	PBT	1	Black

TITLE : DC POWER JACK		UNIT : mm	DRWG NO.: CMTDDZ-T12-013-0000		
MODEL: T12-013XX-A		SCALE: 3:1	DWN.	ERIC	2013-6-17
CMTDDZ	东莞市田都科技有限公司 DONGGUAN TIANDU TECHNOLOGY CO.,LTD.	CHK'D	MAIKO	2013-6-17	
		APPD.	Coco	2013-6-17	