

F

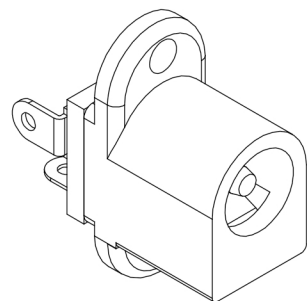
E

D

C

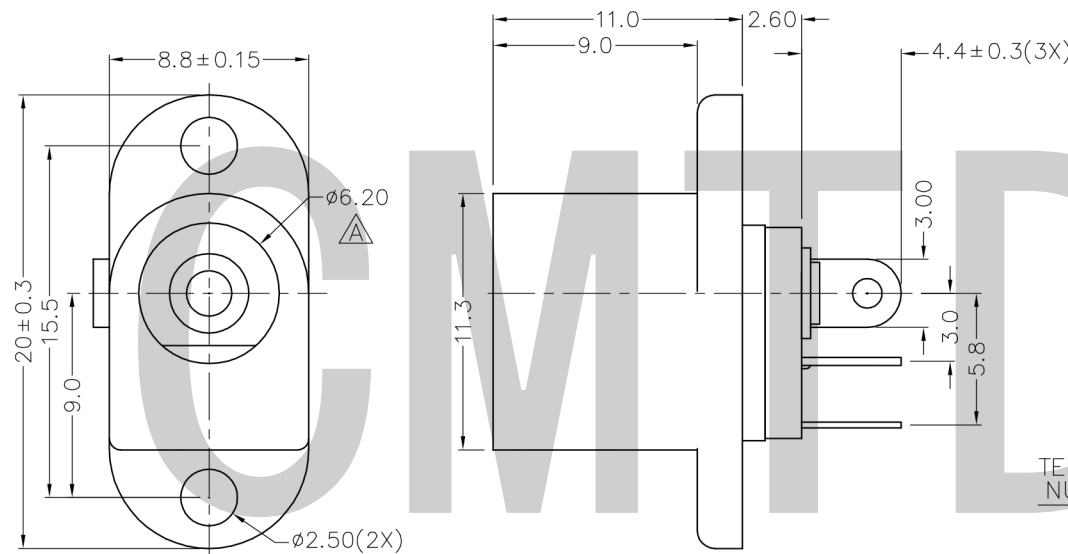
B

A

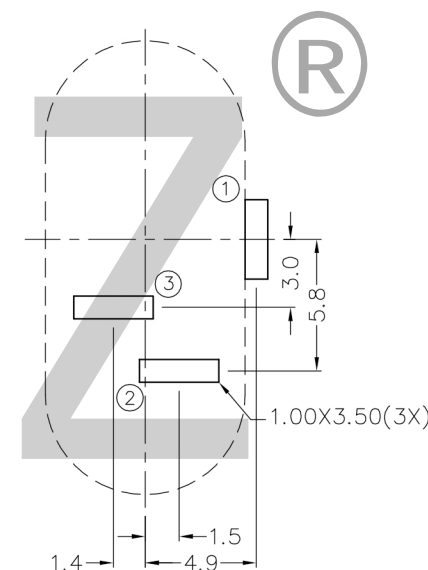
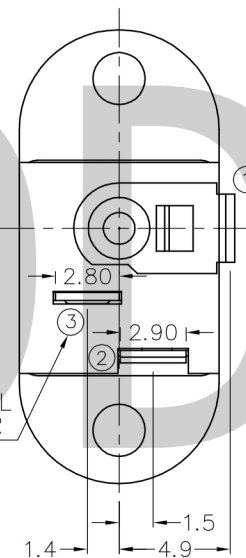


RoHS
Compliant

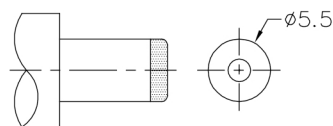
ZONE	SYMBOL	REVISION	APPROVAL	DATE
E2	△	ø6.40 MODIFIED TO ø6.20		



TERMINAL
NUMBER



PCB LAYOUT
(BOTTOM VIEW)



DC MATE PLUG

MODEL NO.	T12-017
SCHEMATIC	
CENTER PIN	ø2mm
	ø2.5mm

* MATERIAL

CENTRE PIN : COPPER
 TERMINAL 1 : BRASS
 TERMINAL 2 : COPPER ALLOY
 TERMINAL 3 : BRASS
 HOUSING : PBT
 COVER : PBT

TOLERANCE
UNLESS SPECIFIED
WITHIN 1.5mm : ±0.1mm
OVER 1.5mm : ±0.2mm

THESE DRAWINGS AND SPECIFICATIONS
ARE THE PROPERTY OF DONGGUAN
TIANDU TECHNOLOGY CO.,LTD. AND
SHALL NOT BE REPRODUCED, COPIED
OR USED IN ANY MANNER WITHOUT
THE PRIOR WRITTEN CONSENT OF
DONGGUAN TIANDU ELECTRONICS CO., LTD

TITLE : DC POWER JACK

UNIT : mm

DRWG NO.: CMTDDZ-T12-017-0000

MODEL: T12-017-XX-A

SCALE: 3:1

DWN. ERIC 2013-6-17

CMTDDZ 东莞市田都科技有限公司
DONGGUAN TIANDU TECHNOLOGY CO.,LTD.

CHK'D MAIKO 2013-6-17

APPD. Coco 2013-6-17

APPD. DESCRIPTIONS OF REVISION

F

E

D

C

B

A