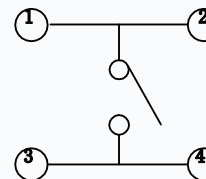
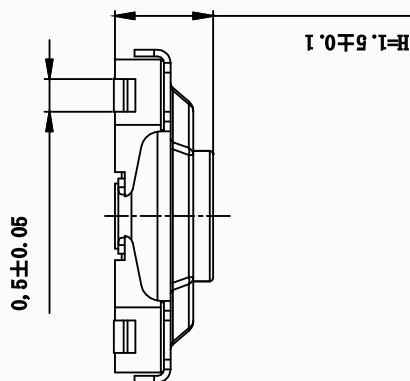
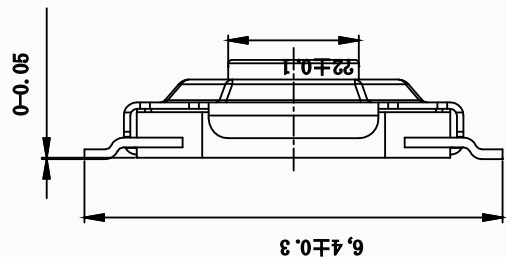


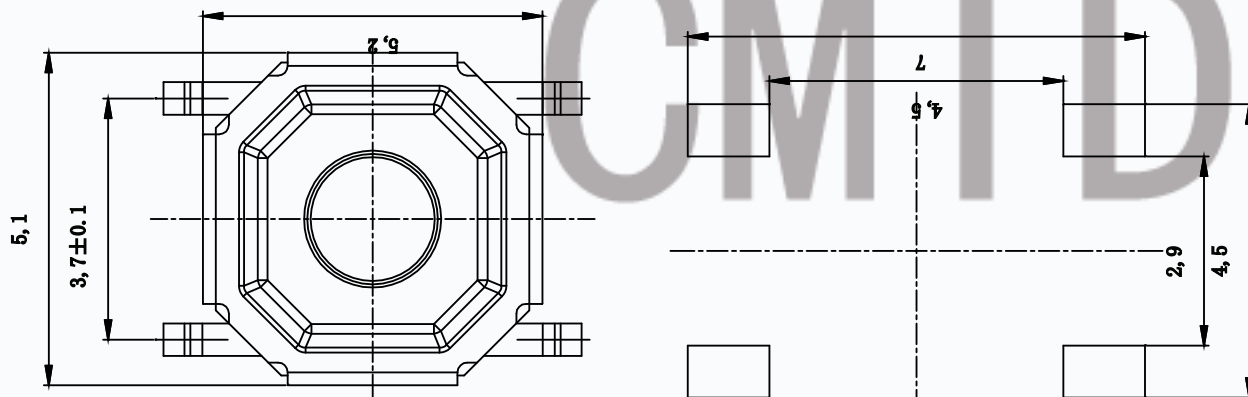


CAD FILE:



CIRCUIT DIAGRAM

MODEL NO.	XX
T6-5252BS-XX-H	07=70GF
	10=100GF
	16=160GF
	26=260GF
H	
1.5MM	3.3MM
1.55MM	3.5MM
1.6MM	3.7MM
1.65MM	3.8MM
1.7MM	4.0MM
1.8MM	4.3MM
1.9MM	4.5MM
2.0MM	4.6MM
2.3MM	5.0MM
2.5MM	5.6MM
2.7MM	6.5MM
2.9MM	7.0MM
3.0MM	7.6MM
3.2MM	8.0MM



P.C.B. LAND PATTERN

SPECIFICATIONS

Rating	50mA 12V DC
Travel	0.25±0.1mm
Contact Resistance	≤ 100 mΩ
Operating temperature	-20℃ ~ 70℃( 45% ~ 85% RH )
Operating Force	70±50/100±50/160±50/260±60gf
Operating Life	100,000 Cycles

8					TOLERANCE UNLESS SPECIFIED WITHIN 1.5mm : ±0.1mm OVER 1.5mm : ±0.2mm	THESE DRAWINGS AND SPECIFICATIONS ARE THE PROPERTY OF DONGGUAN TIANDU TECHNOLOGY CO.,LTD. AND SHALL NOT BE REPRODUCED, COPIED OR USED IN ANY MANNER WITHOUT THE PRIOR WRITTEN CONSENT OF DONGGUAN TIANDU TECHNOLOGY CO., LTD	DESCRIPTIONS OF REVISION			APPD.
7							TITLE : TACT SWITCH	UNIT : mm	DRWG NO.: CMTDDZ-T6-5252BS-00	
6	KNOB	BRASS	1	YELLOW	MODEL: T6-5252BS-XX-H	SCALE: 3:1	DWN.	ERIC	2013-6-17	
5	COVER	SUS	1	NATURAL	CMTDDZ 东莞市田都科技有限公司 DONGGUAN TIANDU TECHNOLOGY CO.,LTD.	APPD.	CHK'D	MAIKO	2013-6-17	
4	DUST COVER	KAPTON FILM	1	YELLOW			APPD.	Coco	2013-6-17	
3	TERMINAL	PHOSPHOR BRONZE	4	PLATING SILVER						
2	CONTACT	F.Ag/SUS	1	NATURAL						
1	BASE	NYLON	1	BLACK						
NO.	PARTS	MATERIALS	Q'TY	FINISH						