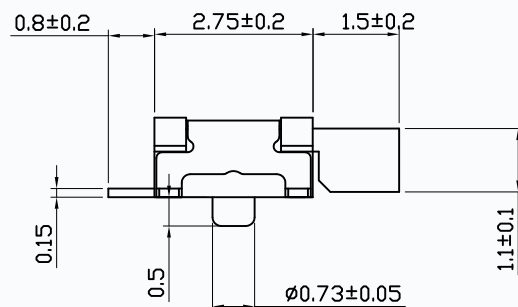
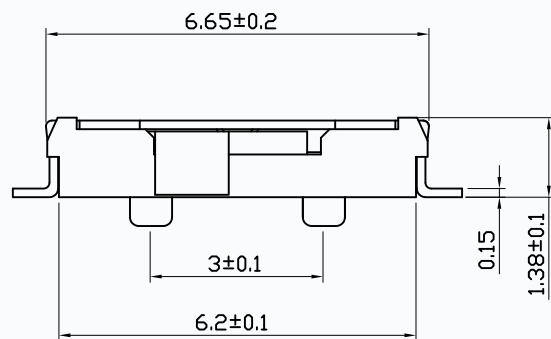
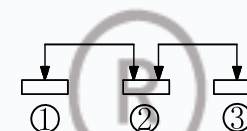
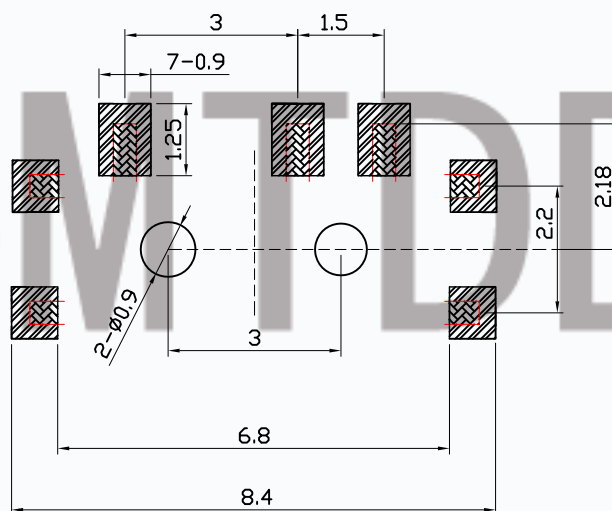
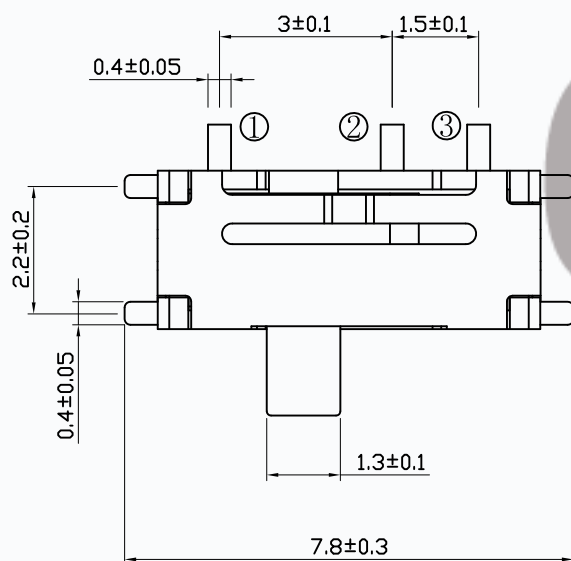
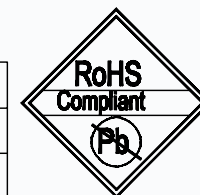


CAD FILE:



MODEL NO.	KNOB(G)
T1-1291AS-G1.5	1.5mm
T1-1291AS-G2	2.0mm



电路图 (CIRCUIT DIAGRAM)

安装图 (PCB LAYOUT PLAN)

SPECIFICATIONS

Rating	50mA 12V DC
Insulation Resistance	> 100 MΩ
Dielectric Withstanding Voltage	500V 0.5mA/min
Contact Resistance	< 70 mΩ
Operating Force	200gf ± 100gf
Operating Life	10,000 cycles

8					TOLERANCE					
7					UNLESS SPECIFIED					
6					WITHIN 1.5mm : ±0.1mm	A	2014-8-29	TIANDU ELECTRONICS		
5	CLIP	PHOSPHOR BRONZE	1	Ag PLATED	OVER 1.5mm : ±0.2mm	ISSUE	DATE	DESCRIPTIONS OF REVISION	APPD.	
4	TERMINAL	PHOSPHOR BRONZE	3	Ag PLATED	TITLE : MINI SLIDE SWITCH		UNIT : mm	DRWG NO.:CMTDDZ-T1-1291AS-00		
3	CASE	LCP	1	BLACK	MODEL: T1-1291AS-G		SCALE:3:1	DWN.	ERIC	2014-8-29
2	COVER	SUS	1	NATURE	CMTDDZ 东莞市田都科技有限公司			CHK'D	MAIKO	2014-8-29
1	SLIDER	PA46	1	BLACK			DONGGUAN TIANDU TECHNOLOGY CO.,LTD.		APPD	Coco
NO.	PARTS	MATERIALS	Q'TY	FINISH						