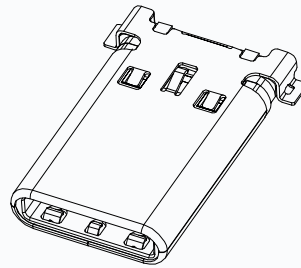
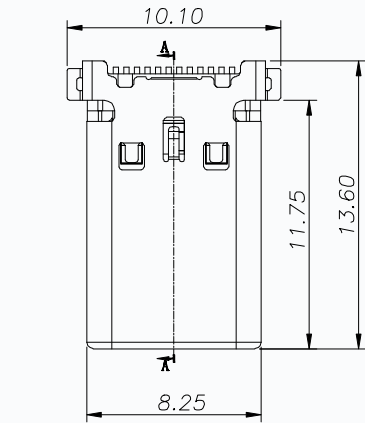
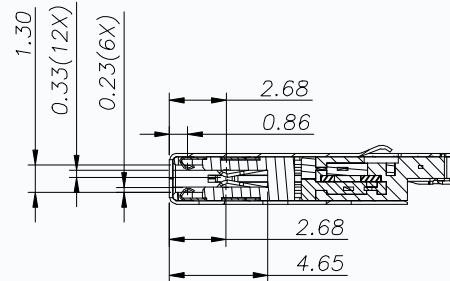
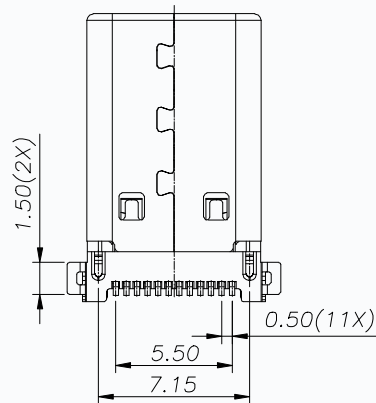
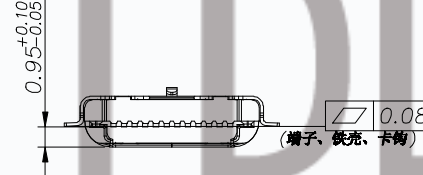
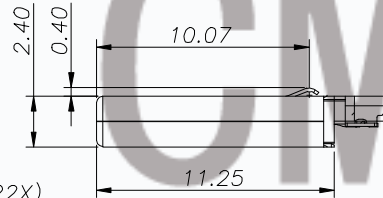
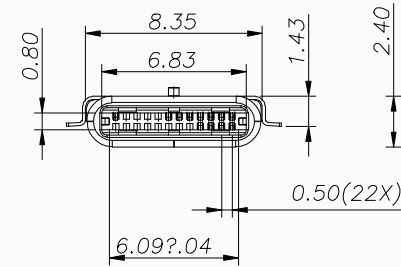


REV.	ECN NO.	DESCRIPTION	DATE	DESIGN
01	ECN NO.	INITIAL RELEASED	2018.07.06	JJL



NOTE:

- 1.MATERIAL SPECIFICATION:
 - 1.HOUSING:HIGH TEMPERATURE RESISTANT PLASTIC,UL94 V-0.
 - 2.CONTACTS:COPPER ALLOY
 - 3.MID PLATE: STAINLESS STEEL
 - 4.FRONT SHELL: STAINLESS STEEL
 - 5.EMI PLATE: STAINLESS STEEL
- 2.PLATING SPECIFICATION:
 - 2-1.CONTACTS:
 - Ni 50u" MIN. UNDER PLATED OVER ALL.
 - Au PLATED ON THE FUNCTIONAL AREA OF CONTACT.
 - (GOLD PLATING THICKNESS FOLLOW THE P/N)
 - PLATING SPECIFICATIONS OF THE SOLDER AREA FOLLOW THE P/N
 - 2-2.FRONT SHELL:
 - PLATING SPECIFICATIONS FOLLOW THE P/N
 - 2-3.MID PLATE&EMI PLATE:
 - CLEAR ONLY
- 3.MECHANICAL PERFORMANCE,
 - 3-1.INSERTION FORCE: 0.5~2.0kgf.
 - 3-2.REMOVAL FORCE: 0.8kgf~2.0kgf.
 - 3-3.DURABILITY: 10000 CYCLES.
- 4.ELECTRICAL PERFORMANCE,
 - 4-1. CURRENT RATING:5.0A
VOLTAGE RATING:5.0V
 - 4-2. LLCR:
 - VBUS & GND PINS AND OTHER PINS: 40mΩ/PIN MAX.
 - SHIELD: 50mΩ/MAX.
 - LLCR MAX. CHANGE OF ALL PINS: 10mΩ.
 - 4-3.INSULATION RESISTANCE: 100MΩ MIN
 - 4-4.DIELECTRIC WITHSTAND VOLTAGE,AC 100V FOR 1 MINUTE.
5. ENVIRONMENTAL PERFORMANCE:
 - OPERATING TEMPERATURE: -25℃~+85℃.
- 6.IR REFLOW:
 - THE PEAK TEMPERATURE ON THE BOARD SHALL BE MAINTAINED FOR 10 SECONDS AT 260°C.



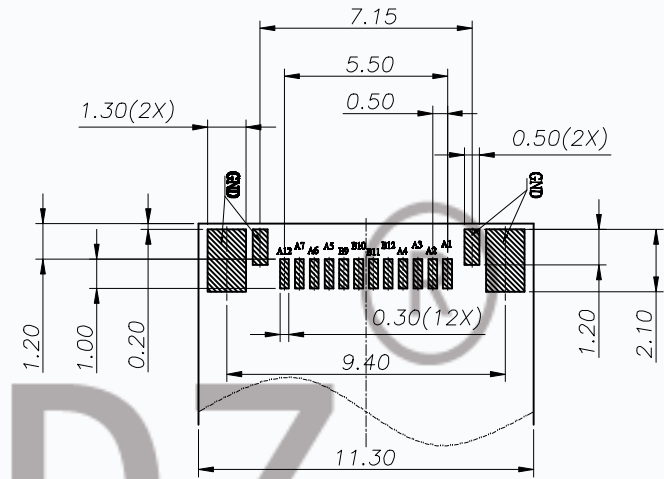
SECTION A-A
SCALE 1:1

TOLERANCE		NAME(INTENDED USE) CUSTOMER DRAWING	东莞市田都科技有限公司 DONGGUAN TIANDU TECHNOLOGY CO., LTD		
X.X ±0.30	X.' ±10'	PART NO.	TITLE: USB TYPE-C SMT PLUG 间距0.95mm		
.XX ±0.20	.X' ± 8'	SEE P/N			
.XXX ±0.10	.XX' ± 5'	DESIGN: JEFF	DRAWG NO. T11-3M-002S		
UNITS	mm	CHED:			
MATERILA		APPD:			
FINISH			SCALE	SHEET	REV.
			1:1	1/3	01

REV.	ECN NO.	DESCRIPTION	DATE	DESIGN
01	---	INITIAL RELEASED	2018.07.06	JJL

USB TYPE-C PIN ASSIGNMENTS

PIN NUMBER	SIGNAL NAME	PIN NUMBER	SIGNAL NAME
A1	GND	B12	GND
A2	SSTXp1	B11	SSRXp1
A3	SSTXn1	B10	SSRXn1
A4	VBUS	B9	VBUS
A5	CC1	B8	
A6	Dp1	B7	
A7	Dn1	B6	
A8		B5	
A9		B4	
A10		B3	
A11		B2	
A12	GND	B1	



RECOMMENDED PCB LAYOUT(TOP VIEW)

TOLERANCE:?.05

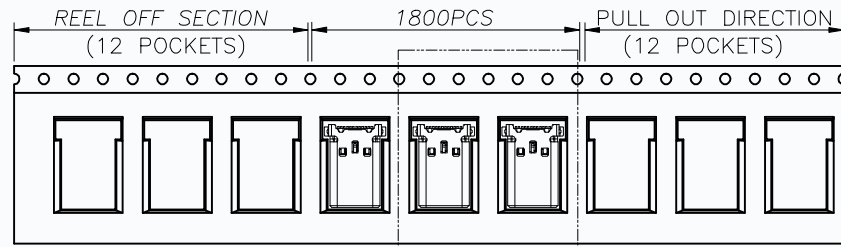
P/N: T11-3M-002S-XX

CONTACT FUNCTIONAL AREA PLATED

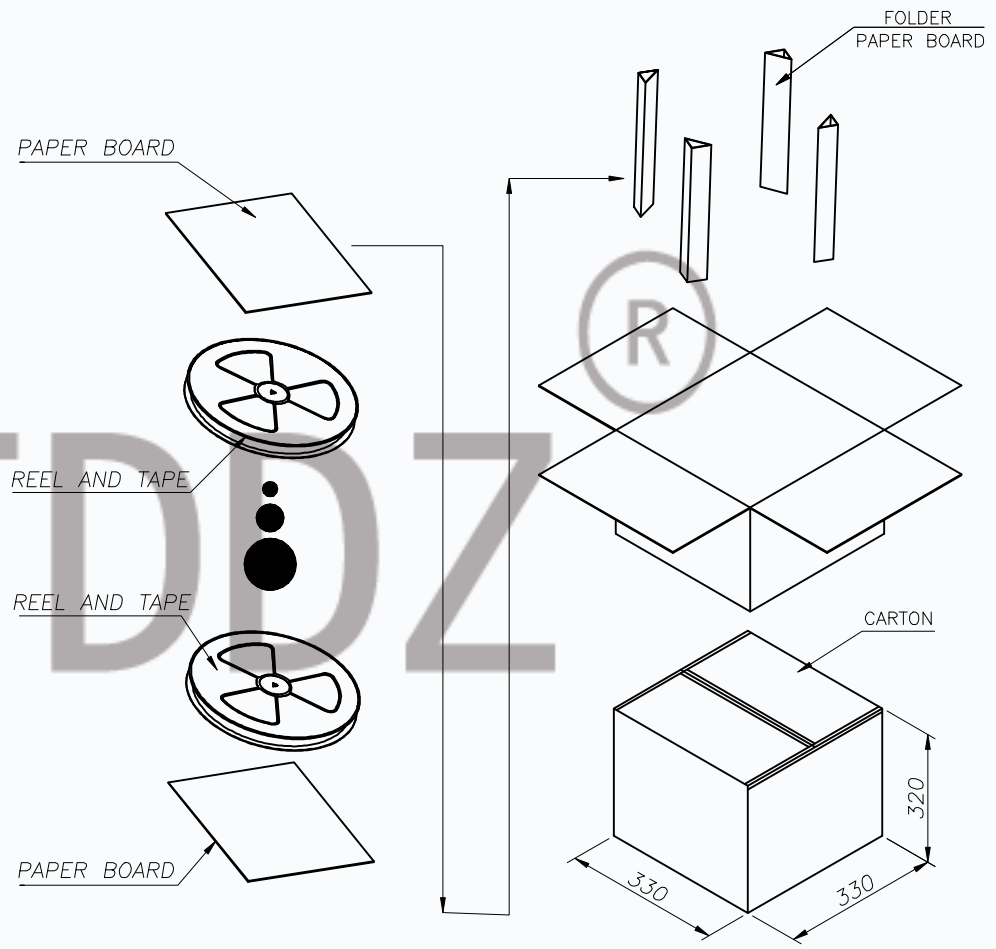
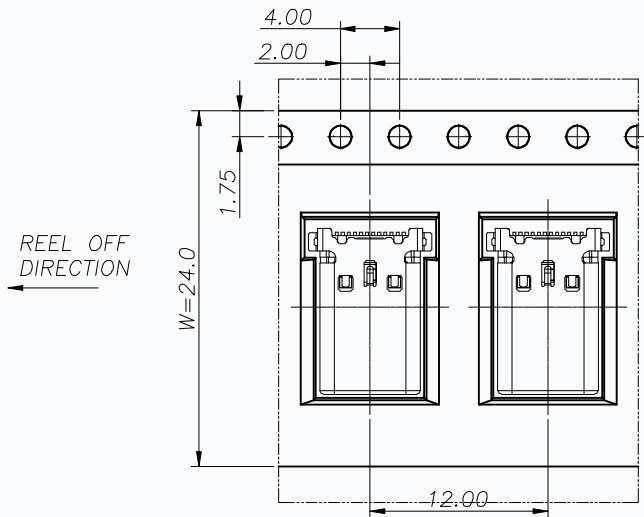
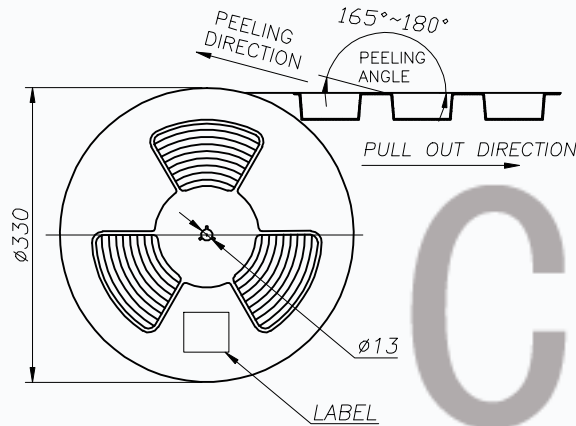
- 01: Au 1u"
- 02: Au 3u"
- 03: Au 15u"
- 04: Au 30u"

TOLERANCE		NAME(INTENDED USE) CUSTOMER DRAWING	东莞市田都科技有限公司 DONGGUAN TIANDU TECHNOLOGY CO., LTD		
X.X ±0.30	X.' ±10'	PART NO.	TITLE: USB TYPE-C SMT PLUG 规格0.95mm		
.XX ±0.20	.X' ± 8'	SEE P/N			
.XXX ±0.10	.XX' ± 5'	DESIGN:	DRAWG NO.		
UNITS	mm		T11-3M-002S		
MATERILA	----	CHED:			
FINISH	----	APPD:			
			SCALE	SHEET	REV.
			1:1	2/3	01

REV.	ECN NO.	DESCRIPTION	DATE	DESIGN
01	---	INITIAL RELEASED	2018.07.06	JJL



SEE DETAIL X



	REEL	CARTON
CONNECTOR (PCS)	1800	18000

TOLERANCE		NAME(INTENDED USE) CUSTOMER DRAWING	东莞市田都科技有限公司 DONGGUAN TIANDU TECHNOLOGY CO., LTD		
X.X ±0.30	X.' ±10'	PART NO.	TITLE: USB TYPE-C SMT 12PIN PLUG		
.XX ±0.20	.X' ± 8'	SEE P/N	DRAWG NO. T11-3M-002S		
.XXX ±0.10	.XX' ± 5'	DESIGN:	SCALE SHEET REV.		
UNITS	mm	CHED:	1:1	3/3	01
MATERILA	----	APPD:			
FINISH	----				