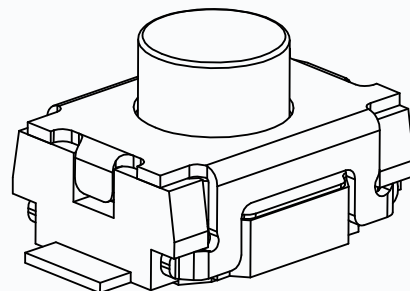
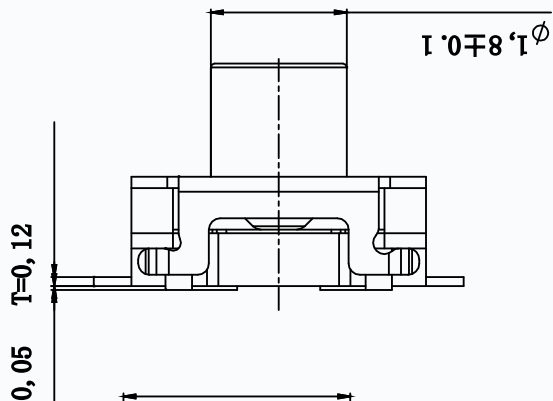
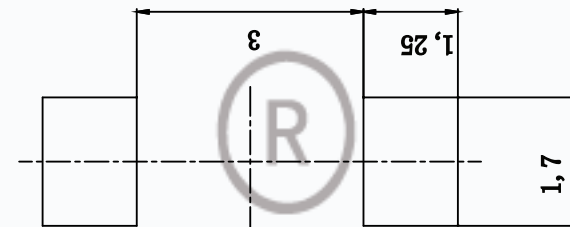
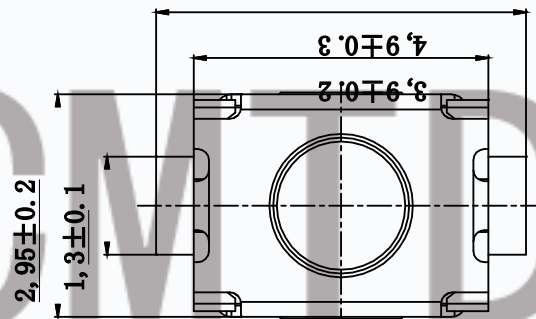
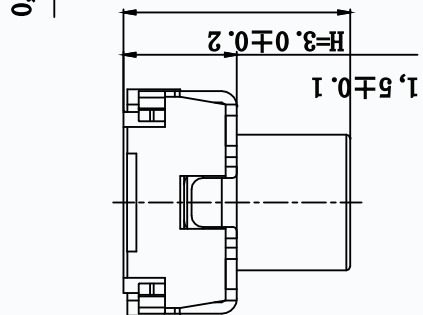
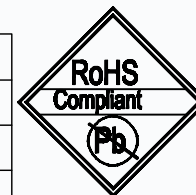




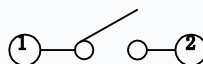
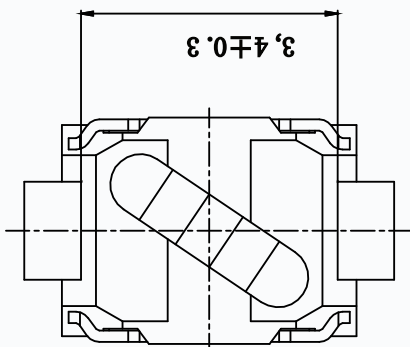
CAD FILE:



MODEL NO.	XX	H
T6-3040FS-XX-H	16=160gf	1.8MM
		2.0MM
	25=250gf	2.5MM
		3.0MM



P.C.B. LAND PATTERN



CIRCUIT DIAGRAM

SPECIFICATIONS

Rating	50mA 12V DC
Travel	0.15±0.1mm
Contact Resistance	≤ 100 mΩ
Operating temperature	-20℃ ~ 70℃(45% ~ 85% RH)
Operating Force	160±30gf/250±50gf
Operating Life	100,000 Cycles

NO.	PARTS	MATERIALS	Q'TY	FINISH
8				
7				
6	COVER	SUS	1	NATURAL
5	KEYSTOKE	NYLON	1	BLACK
4	DUST COVER	KAPTON FILM	1	YELLOW
3	TERMINAL	PHOSPHOR BRONZE	2	PLATING SILVER
2	CONTACT	F.Ag/SUS	2	NATURAL
1	BASE	NYLON	1	BLACK

TOLERANCE
UNLESS SPECIFIED
WITHIN 1.5mm : ±0.1mm
OVER 1.5mm : ±0.2mm

THESE DRAWINGS AND SPECIFICATIONS ARE THE PROPERTY OF DONGGUAN TIANDU TECHNOLOGY CO.,LTD. AND SHALL NOT BE REPRODUCED, COPIED OR USED IN ANY MANNER WITHOUT THE PRIOR WRITTEN CONSENT OF DONGGUAN TIANDU TECHNOLOGY CO., LTD

DESCRIPTIONS OF REVISION APPD.

TITLE : TACT SWITCH		UNIT : mm	DRWG NO.: CMTDDZ-T6-3040FS-00		
MODEL: T6-3040FS-XX-H 无		SCALE: 3:1	DWN.	ERIC	2013-6-17
CMTDDZ 东莞市田都科技有限公司 DONGGUAN TIANDU TECHNOLOGY CO.,LTD.			CHK'D	MAIKO	2013-6-17
			APPD.	Coco	2013-6-17