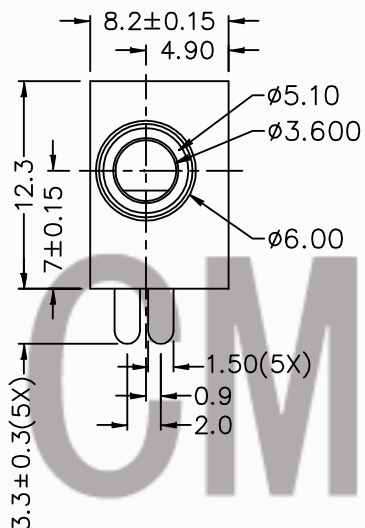
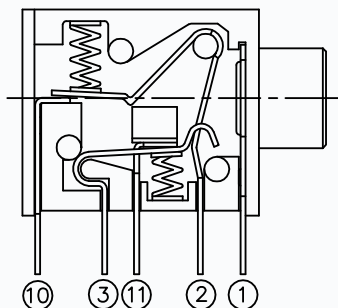
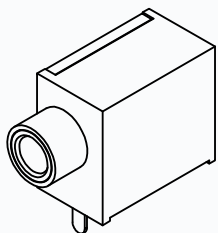
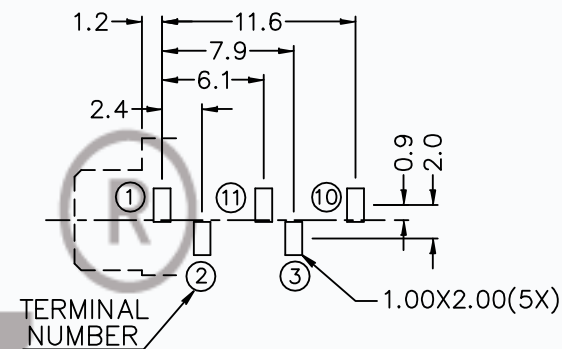


CAD FILE:



INSULATOR

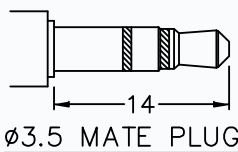


PCB LAYOUT  
(BOTTOM VIEW)

MODEL NO.	T13-3645	T13-3644A	T13-3644B	T13-3643	T13-3643A
SCHEMATIC					

\* MATERIAL

- TERMINAL 1 : BRASS
- TERMINAL 2 : BRASS
- TERMINAL 3 : BRASS
- TERMINAL 10 : BRASS
- TERMINAL 11 : BRASS
- BUSHING : BRASS
- SPRING : STAINLESS STEEL
- HOUSING : PBT
- COVER : PBT



		<p>TOLERANCE UNLESS SPECIFIED</p> <p>WITHIN 1.5mm : ±0.1mm</p> <p>OVER 1.5mm : ±0.2mm</p>	<p>THESE DRAWINGS AND SPECIFICATIONS ARE THE PROPERTY OF DONGGUAN TIANDU TECHNOLOGY CO.,LTD. AND SHALL NOT BE REPRODUCED, COPIED OR USED IN ANY MANNER WITHOUT THE PRIOR WRITTEN CONSENT OF DONGGUAN TIANDU TECHNOLOGY CO., LTD</p>	TITLE : 3.5mm PHONE JACK		UNIT : mm	DRWG NO.: CMTDDZ-T13-364-00		
				MODEL: T13-364		SCALE: 3:1		DWN.	ERIC
				<p><b>CMTDDZ</b> 东莞市田都科技有限公司 DONGGUAN TIANDU TECHNOLOGY CO.,LTD.</p>		CHK'D		MAIKO	2013-6-17
APPD.	DESCRIPTIONS OF REVISION					APPD.		Coco	2013-6-17