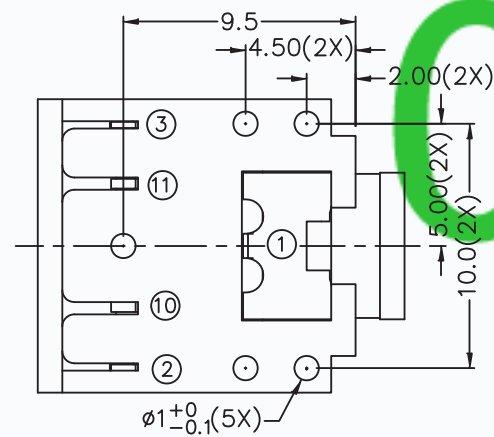
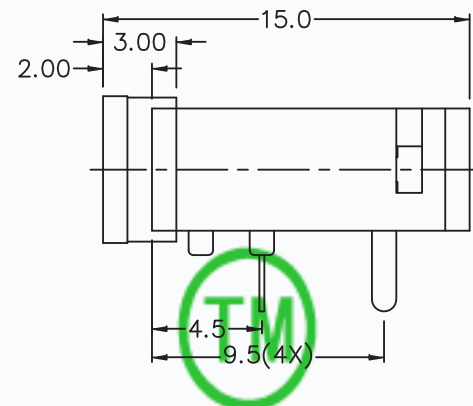
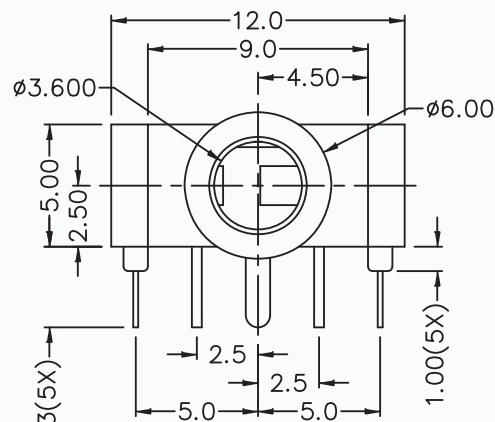
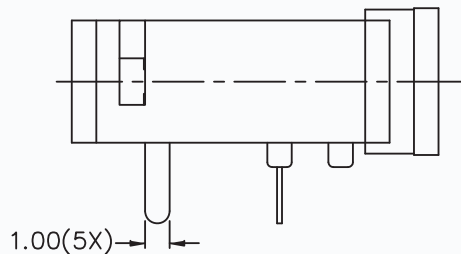
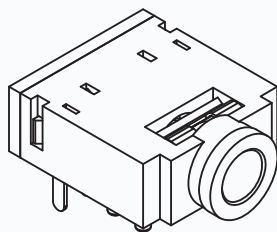
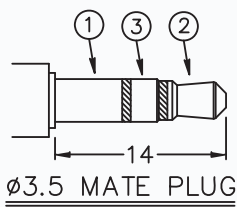
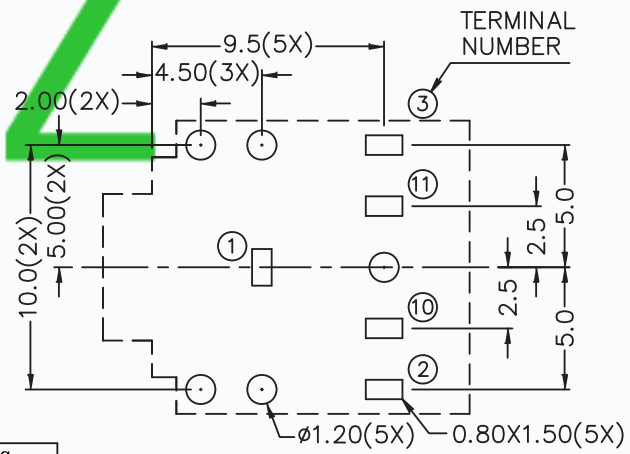


CAD FILE:



*MATERIAL

- TERMINAL 1 : COPPER ALLOY
- TERMINAL 2 : COPPER ALLOY
- TERMINAL 3 : COPPER ALLOY
- TERMINAL 10 : BRASS
- TERMINAL 11 : BRASS
- BUSHING : BRASS
- HOUSING : PBT
- COVER : PBT



MODEL NO.	T13-3575C	T13-3574AC	T13-3574BC	T13-3573C	T13-3573AC
SCHEMATIC					

APPD.	DESCRIPTIONS OF REVISION

**TOLERANCE
UNLESS SPECIFIED**

WITHIN 1.5mm : ±0.1mm
OVER 1.5mm : ±0.2mm

THESE DRAWINGS AND SPECIFICATIONS ARE THE PROPERTY OF DONGGUAN TIANDU ELECTRONICS CO.,LTD. AND SHALL NOT BE REPRODUCED, COPIED OR USED IN ANY MANNER WITHOUT THE PRIOR WRITTEN CONSENT OF DONGGUAN TIANDU ELECTRONICS CO., LTD.

TITLE : 3.5mm PHONE JACK

MODEL: T13-357C

CMTDDZ 东莞市田都电子有限公司
DONGGUAN TIANDU ELECTRONICS CO.,LTD.

UNIT : mm	DRWG NO.: CMTDDZ-T13-357C-00		
SCALE: 3:1	DWN.	ERIC	2013-6-17
APPD.	CHK'D	MAIKO	2013-6-17
		Coco	2013-6-17