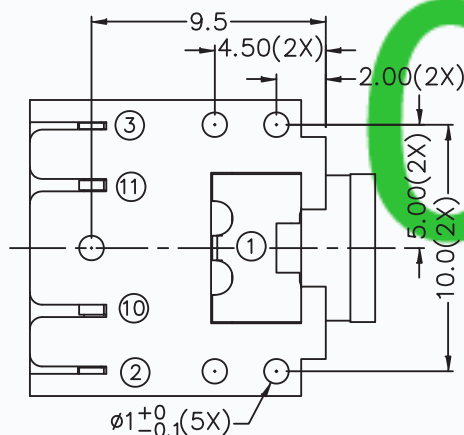
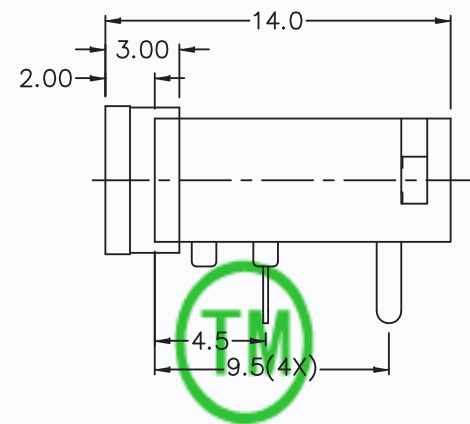
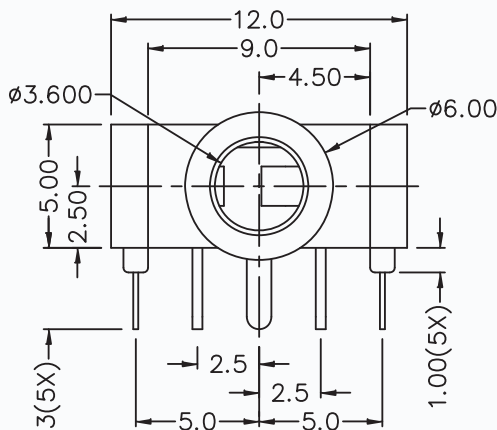
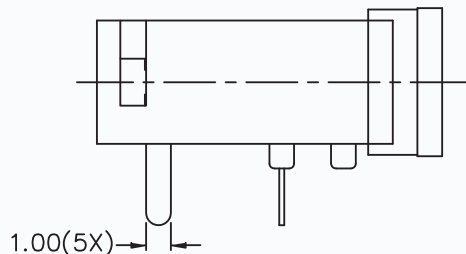
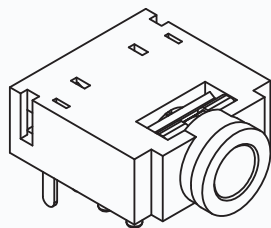


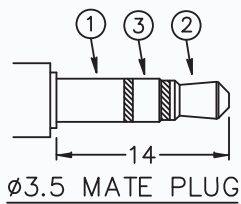
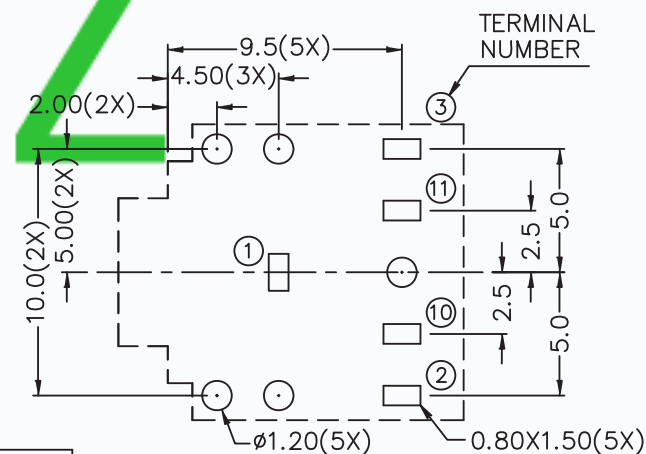
CAD FILE:



# CMTDDZ

**\*MATERIAL**

- TERMINAL 1 : COPPER ALLOY
- TERMINAL 2 : COPPER ALLOY
- TERMINAL 3 : COPPER ALLOY
- TERMINAL 10 : BRASS
- TERMINAL 11 : BRASS
- BUSHING : BRASS
- HOUSING : PBT



MODEL NO.	T13-3575	T13-3574A	T13-3574B	T13-3573	T13-3573A
SCHEMATIC					

APPD.	DESCRIPTIONS OF REVISION

**TOLERANCE**  
UNLESS SPECIFIED

WITHIN 1.5mm : ±0.1mm  
OVER 1.5mm : ±0.2mm

THESE DRAWINGS AND SPECIFICATIONS ARE THE PROPERTY OF DONGGUAN TIANDU ELECTRONICS CO.,LTD. AND SHALL NOT BE REPRODUCED, COPIED OR USED IN ANY MANNER WITHOUT THE PRIOR WRITTEN CONSENT OF DONGGUAN TIANDU ELECTRONICS CO., LTD.

**TITLE : 3.5mm PHONE JACK**

MODEL: T13-357

**CMTDDZ 东莞市田都电子有限公司**  
DONGGUAN TIANDU ELECTRONICS CO.,LTD.

UNIT : mm	DRWG NO.: CMTDDZ-T13-357-00		
SCALE: 3:1	DWN.	ERIC	2013-6-17
APPD.	CHK'D	MAIKO	2013-6-17
		Coco	2013-6-17