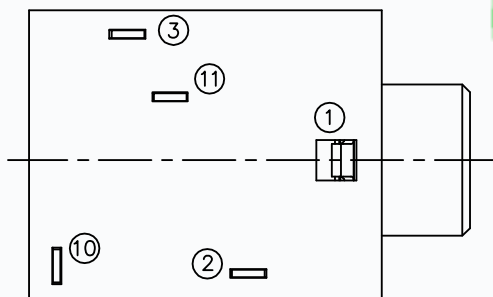
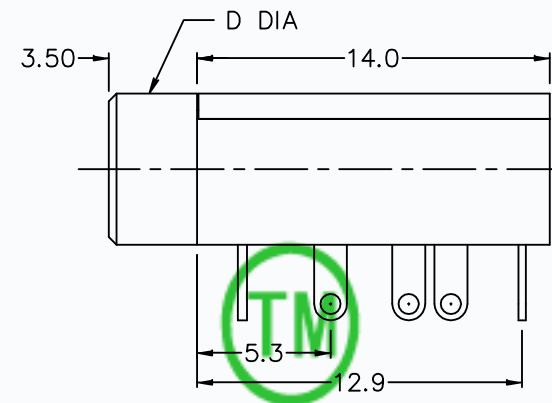
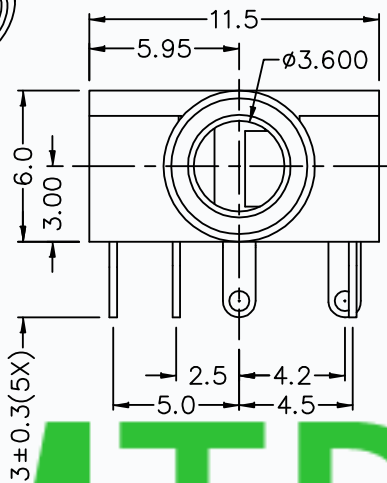
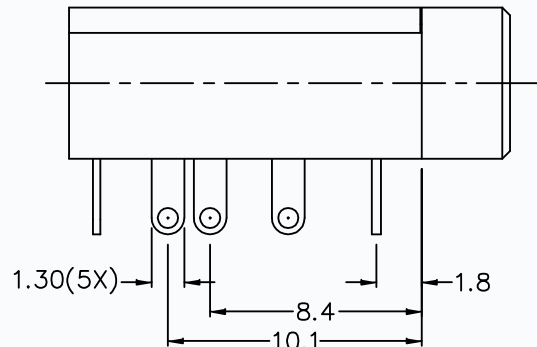
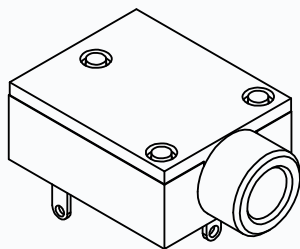


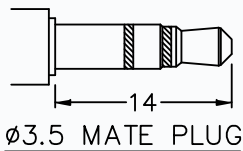
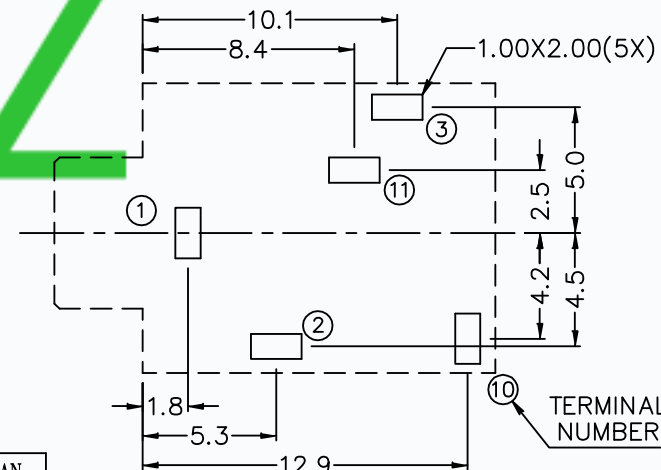
CAD FILE:



# CMTDDZ

\* MATERIAL

- TERMINAL 1 : BRASS
- TERMINAL 2 : BRASS
- TERMINAL 3 : BRASS
- TERMINAL 10 : BRASS
- TERMINAL 11 : BRASS
- BUSHING : BRASS
- HOUSING : PBT
- COVER : PC-TRANSPARENT PLASTIC
- SPRING : STAINLESS STEEL



THREADED	M6X0.5	MODEL NO.	T13-35325N	T13-35324AN	T13-35324BN	T13-35323N	T13-35323AN
FLASHED	ø6.0	MODEL NO.	T13-35325F	T13-35324AF	T13-35324BN	T13-35323F	T13-35323AF
D DIA		SCHEMATIC					

APPD.	DESCRIPTIONS OF REVISION	<p><b>TOLERANCE</b> UNLESS SPECIFIED</p> <p>WITHIN 1.5mm : ±0.1mm OVER 1.5mm : ±0.2mm</p>	<p>THESE DRAWINGS AND SPECIFICATIONS ARE THE PROPERTY OF DONGGUAN TIANDU ELECTRONICS CO.,LTD. AND SHALL NOT BE REPRODUCED, COPIED OR USED IN ANY MANNER WITHOUT THE PRIOR WRITTEN CONSENT OF DONGGUAN TIANDU ELECTRONICS CO., LTD.</p>	TITLE : 3.5mm PHONE JACK		UNIT : mm	DRWG NO.: CMTDDZ-T13-3532-00			
				MODEL: T13-3532		SCALE: 3:1	DWN.	ERIC	2013-6-17	
				CMTDDZ 东莞市田都电子有限公司 DONGGUAN TIANDU ELECTRONICS CO.,LTD.			CHK'D	MAIKO	2013-6-17	
						APPD.	Coco	2013-6-17		