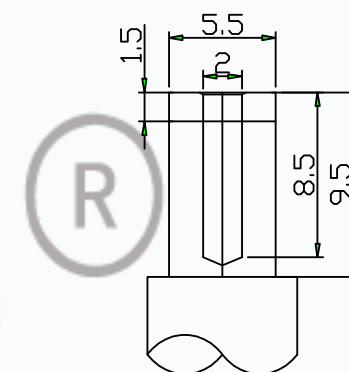
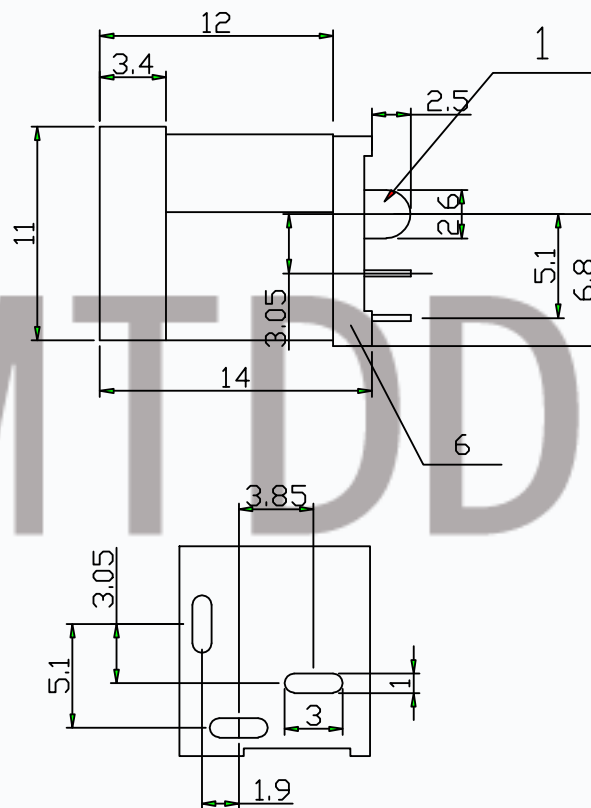
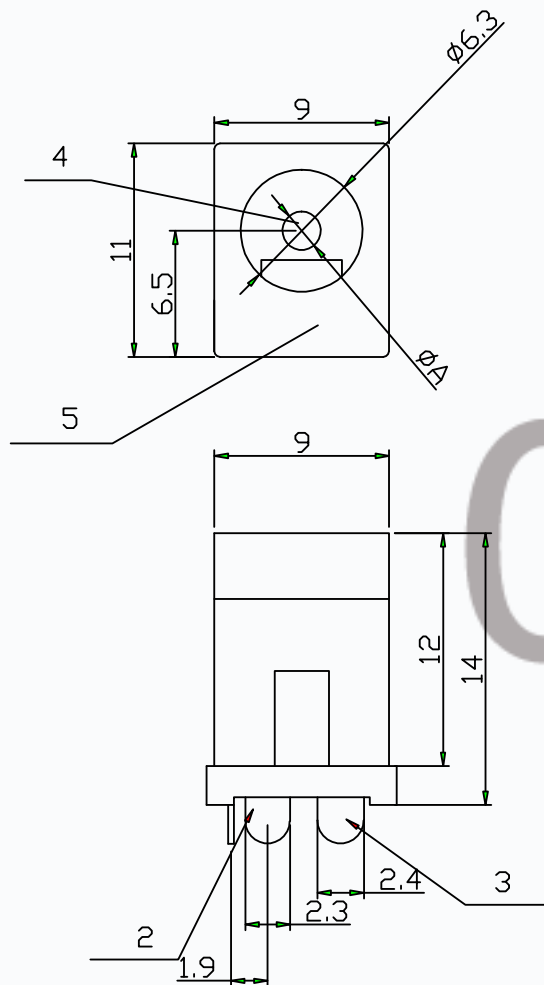


CAD FILE:



MODEL NO.	T12-012B-A
SCHEMATIC	
CENTER PIN A	ø1.65mm
	ø2mm
	ø2.5mm

**TOLERANCE
UNLESS SPECIFIED**
 WITHIN 1.5mm : ±0.1mm
 OVER 1.5mm : ±0.2mm

THESE DRAWINGS AND SPECIFICATIONS
 ARE THE PROPERTY OF DONGGUAN
 TIANDU TECHNOLOGY CO.,LTD. AND
 SHALL NOT BE REPRODUCED. COPIED
 OR USED IN ANY MANNER WITHOUT
 THE PRIOR WRITTEN CONSENT OF
 DONGGUAN TIANDU ELECTRONICS CO., LTD.

TITLE : DC POWER JACK

UNIT : mm

DRWG NO.: CMTDDZ-T12-012B-00

MODEL: T12-012B-A

SCALE: 3:1

DWN.	ERIC	2013-6-17
------	------	-----------

CMTDDZ 东莞市田都科技有限公司
 DONGGUAN TIANDU TECHNOLOGY CO.,LTD.

CHK'D	MAIKO	2013-6-17
-------	-------	-----------

APPD.	Coco	2013-6-17
-------	------	-----------

APPD.	DESCRIPTIONS OF REVISION
-------	--------------------------