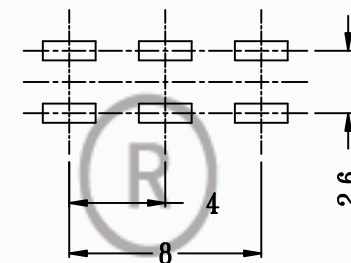
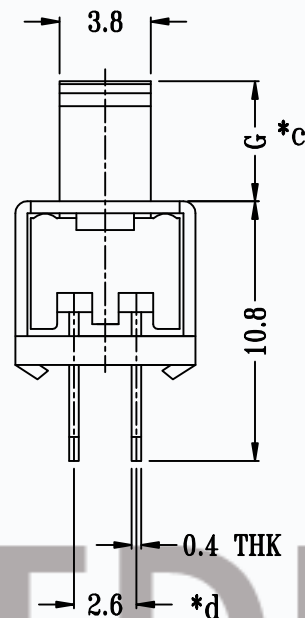
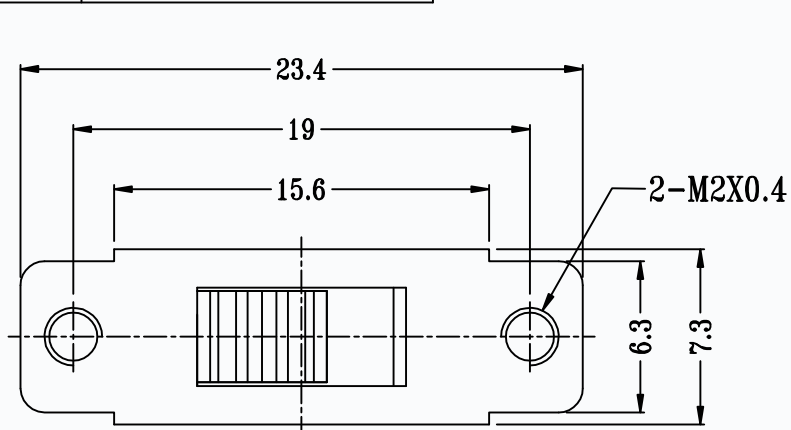




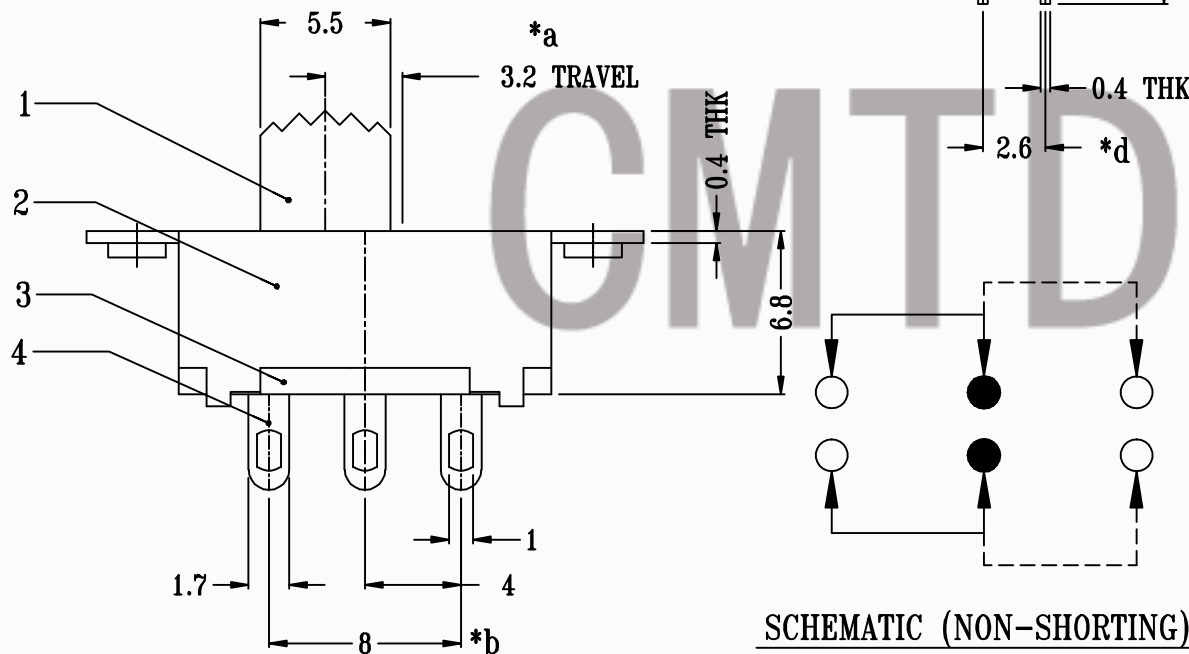
CAD FILE:



MODEL NO.	KNOB(G/VG)
T2-223025-G	(2~15)mm



P.C.B LAYOUT



SCHMATIC (NON-SHORTING)

SPECIFICATIONS

Rating	0.5A 50V DC
CIRCUIT	2P2T
Timing	NON-SHORTING
Travel	3.2mm
Contact Resistance	< 100 mΩ
Operating Force	250gf ± 100gf
Operating Life	10,000 cycles

NO.	PARTS	MATERIALS	Q'TY	FINISH	TOLERANCE UNLESS SPECIFIED WITHIN 1.5mm : ±0.1mm OVER 1.5mm : ±0.2mm	THESE DRAWINGS AND SPECIFICATIONS ARE THE PROPERTY OF DONGGUAN TIANDU ELECTRONICS CO.,LTD. AND SHALL NOT BE REPRODUCED, COPIED OR USED IN ANY MANNER WITHOUT THE PRIOR WRITTEN CONSENT OF DONGGUAN TIANDU ELECTRONICS CO., LTD	DESCRIPTIONS OF REVISION	APPD.		
8										
7										
6	SPRING	STEEL STRIP	2	NATURAL						
5	CONTACT CLIP	BRASS STRIP	2	Ag PLATED						
4	TERMINAL	BRASS STRIP	6	Ag PLATED OVER Ni PLATED						
3	BASE	PHENOLIC RESIN	1	NATURAL						
2	FRAME	STEEL STRIP	1	BLACK						
1	KNOB	POM	1	BLACK						
					TITLE : VERTICAL SLIDE SWITCH		UNIT : mm	DRWG NO.: CMTDDZ-T2-223025-00		
					MODEL: T2-223025-G		SCALE: 3:1	DWN.	ERIC	2013-6-17
					CMTDDZ 东莞市田都科技有限公司		CHK'D	MAIKO	2013-6-17	
					DONGGUAN TIANDU TECHNOLOGY CO.,LTD.		APPD.	Coco	2013-6-17	