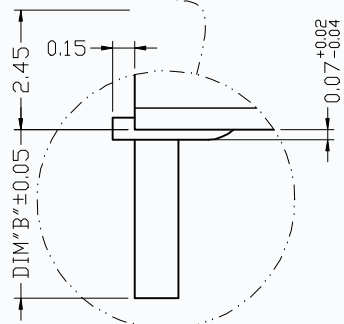
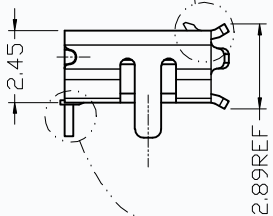
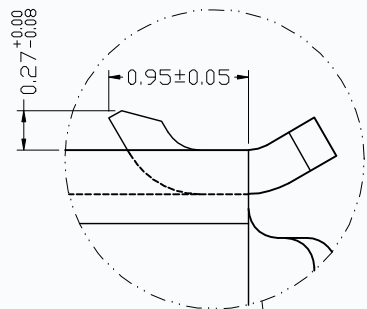


RECOMMEND PCB LAYOUT(TOP VIEW)
GENERAL TOLERANCE ±0.05



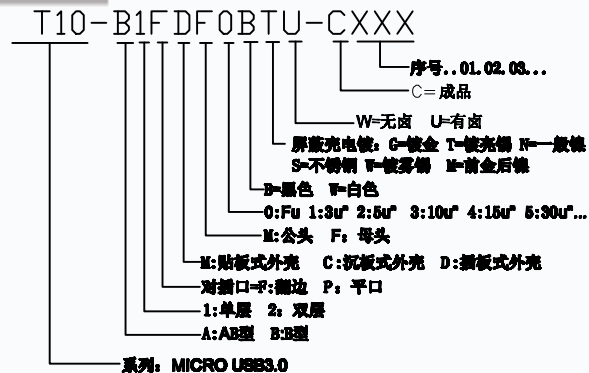
Version	Change content	DATE
A	新图发行	26/Jun-'14

产品图

NOTES:

- MECHANICAL:
MATING FORCE: 35N MAX.
UNMATING FORCE: 10N MIN,INITIAL.
8~20N AFTER 10000 CYCLES.
DURABILITY: 5000 CYCLES MIN.
- ELECTRICAL:
CURRENT: 1.0A
VOLTAGE: 30V MAX
WITHSTANDING VOLTAGE: 100V AC
CONTACT RESISTANCE: 30 mΩ MAX INITIAL;
40 mΩ MAX AFTER 10000 CYCLES
- ENVIRONMENTAL
OPERATING TEMPERATURE RANGE -30°C ~ +80°C
- SALT SPRAY : 24 H AT 35%DC WITH 5%-SALT-SOLUTION CONCENTRATION.
- PRODUCT SPEC:SP-MICRO USB-001
- PACKAGE SPEC:DWG-PK MUB-OXX
- PRODUCT MEET FOR ROHS STANDARD

Part no. Note:



title: MICRO USB 3.0三脚(DIP:12.55) 翻边母座

CMTDDZ 东莞市田都科技有限公司
DONGGUAN TIANDU TECHNOLOGY CO., LTD

tolerances		app.	units	mould no.
linear	angles			
x. .020	x. .01	chk.	<input type="checkbox"/> mm	T10-B1FDF0BTU-CXXX
.x .010	.x .05		<input type="checkbox"/> inch	
.xx .005	.xx .10		size A4	
projection	scale	date.	26/Jun-'14	rigid

The following part fittings of a machine

PART NO.	PART NAME	Q'TY	Material
T10-F3BNM-H004	Housing	1	LCP 130i 黑色
T10-FPG0M-T003	Terminal	10	C5191R-H,T=0.15mm
T10-B1DFW-(S046~S047)	shell	1	SUS304-1/2H,T=0.30mm

PART NO.	DESCRIPTION	DIM A	DIM B
T10-B1FDF0BTU-C060	MICRO USB 3.0 3DIP(12.55MM) ; WITHOUT POST.15		