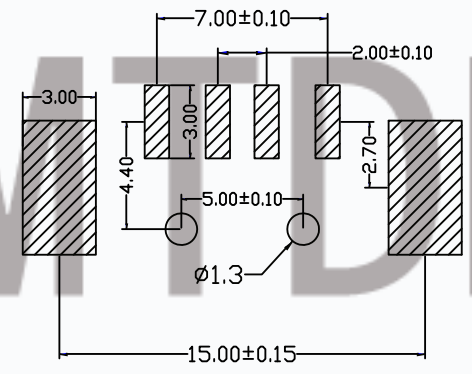
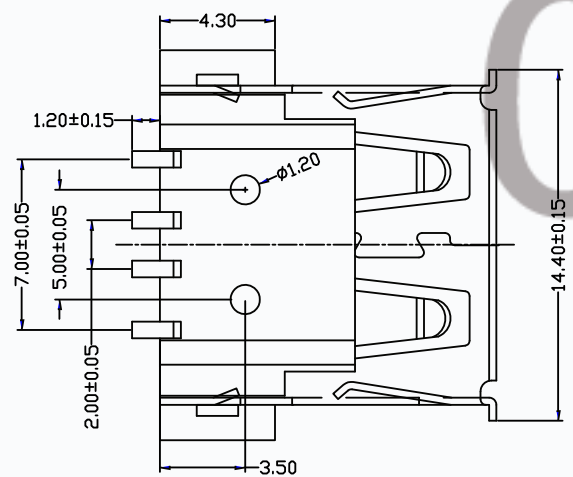
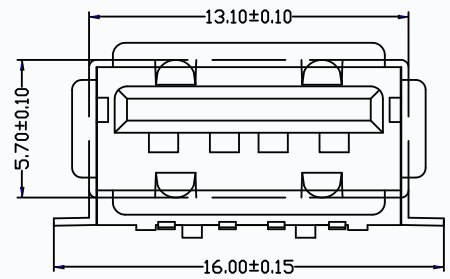
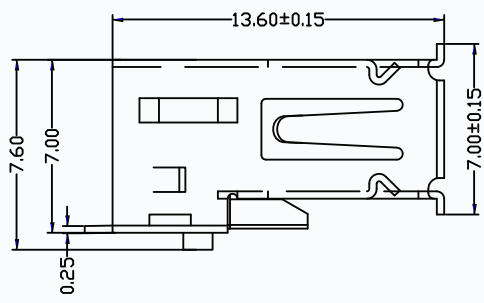


项目 Mapx	设计内容 Modification	日期 Date	修改人 Draw	核准 Approve
------------	----------------------	------------	-------------	---------------



PCB:LAYOUT

NOTES:  
Housing: Thermoplastics,UL94V-0  
Contact: Copper Alloy  
Shell: Copper Alloy/Steel  
Voltage Current Rating:1.5 AMP. 30V AC  
Insulation Resistance:1000MΩ Min.  
Contact Resistance:30 MΩ Max.  
Dielectric Withstanding Voltage:500W AC  
Temperature Range:-35°C to +85°C  
Insulator color: Black/White  
Plastic material:PBT/LCP/Others  
Shell finish:Nickel plated/Tin-Lead plated  
Mechanical:  
Mating Force:3.5KG MAX  
Unmating Force:0.7 KG MIN.  
Contact finish:  
01: Selective Gold Flash  
02: Selective Gold 3U"  
03: Selective Gold 5U"  
04: Selective Gold 15U"  
05: Selective Gold 30U"

备注：侧弹分为外弹与内弹

成品图 MANUFACTURE DWG		东莞市田都电子有限公司 DONGGUAN TIANDU ELECTRONICS CO.,LTD							
公差一览表 TOLERANCE UNLESS OTHERWISE		日期 DATE	2016.10.20	单位 UNIT	MM	制图 DRAWING		DWG NO.	T10-2F137M
.X±0.20	X.±5'	审核 CHECKED		比例 SCALE	1:1	设计 DESIGN	LIUFU	品名 NAME	USB A/F 方脚贴片有柱
.XX±0.10	.X±2'	核准 APPROVE		角法 VIEW	⊕ ⊖			版本 VER	AO
.XXX±0.02	.XX±1'							页数 SHEET	002