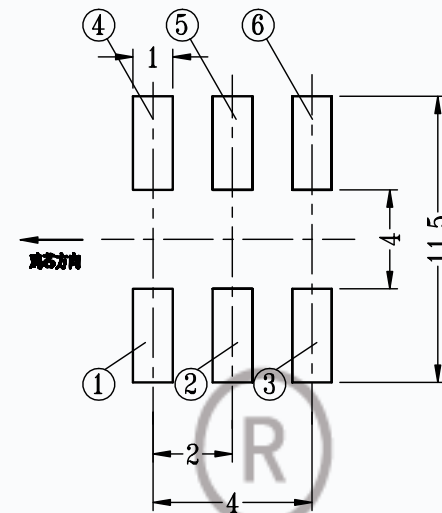
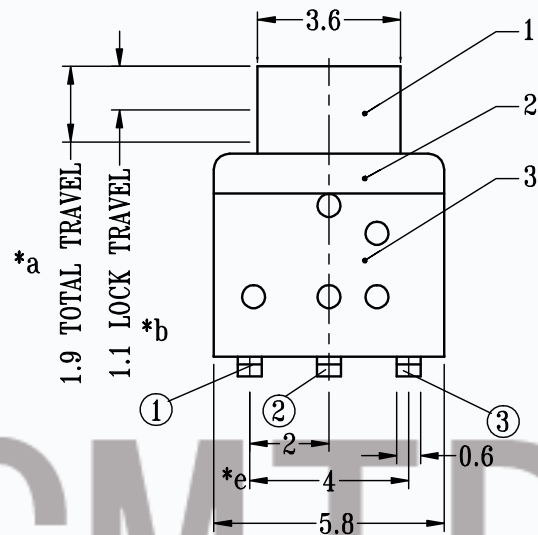
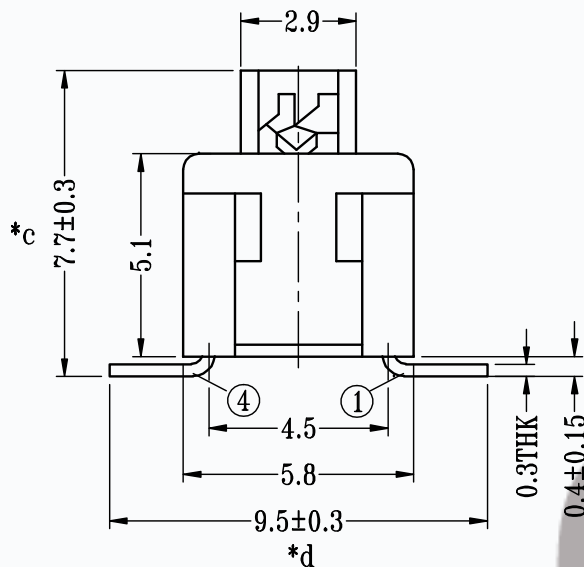


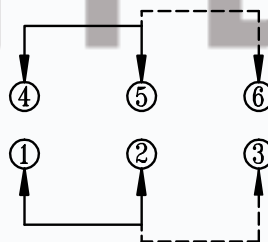


CAD FILE:



P.C.B LAYOUT
TOP VIEW

注：“*”表示关键尺寸(5个)



SCHEMATIC (NON-SHORTING)

OPERATING MODEL:

SELF-LOCK:T5-58F077M-L
Non-LOCK:T5-58F077M-NL

SPECIFICATIONS

Rating	0.2A 12V DC
CIRCUIT	2C-2P
Timing	NON-SHORTING
Travel	FULL:1.9mm
	LOCK:1.1mm
Operating Force	250gf ± 100gf
Operating Life	10,000 cycles

NO.	PARTS	MATERIALS	Q'TY	FINISH	TOLERANCE UNLESS SPECIFIED WITHIN 1.5mm : ±0.1mm OVER 1.5mm : ±0.2mm	THESE DRAWINGS AND SPECIFICATIONS ARE THE PROPERTY OF DONGGUAN TIANDU ELECTRONICS CO.,LTD. AND SHALL NOT BE REPRODUCED, COPIED OR USED IN ANY MANNER WITHOUT THE PRIOR WRITTEN CONSENT OF DONGGUAN TIANDU ELECTRONICS CO., LTD	DESCRIPTIONS OF REVISION	APPD.	
8									
7	CAM STICK	SUS	1	NATURAL					
6	SPRING	SUS	1	NATURAL					
5	CONTACT CLIP	PHOSPHOR BRONZE	2	Ag PLATED					
4	TERMINAL	BRASS	6	Ag PLATED					
3	CASE	PA66	1	GREY					
2	COVER	POM	1	BLACK					
1	KNOB	POM	1	WHITE					
					TITLE : VERTICAL SLIDE SWITCH	UNIT : mm	DRWG NO.: CMTDDZ-T5-58F013M-00		
					MODEL: SEE TABLE	SCALE: 3:1	DWN.	ERIC	2013-6-17
					CMTDDZ 东莞市田都电子有限公司 DONGGUAN TIANDU ELECTRONICS CO.,LTD.	CHK'D	MAIKO	2013-6-17	
						APPD.	Coco	2013-6-17	