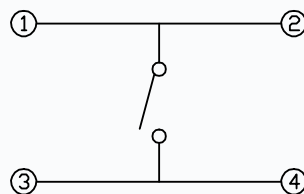
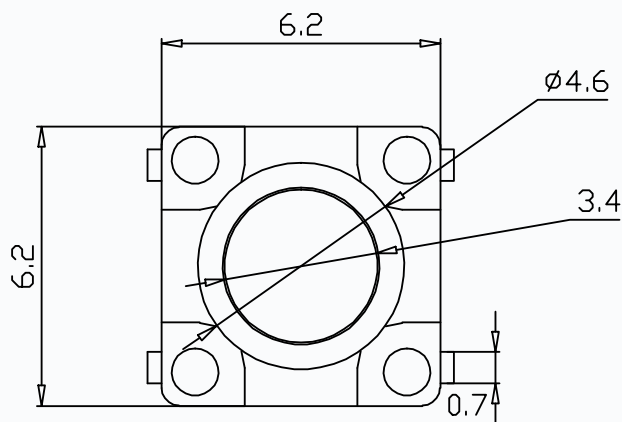


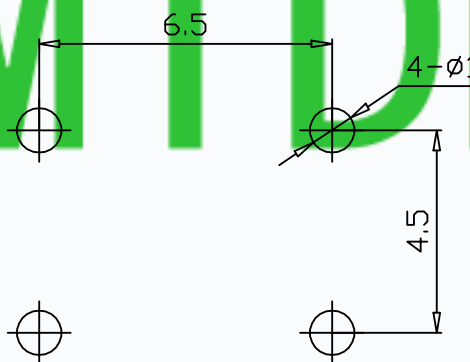
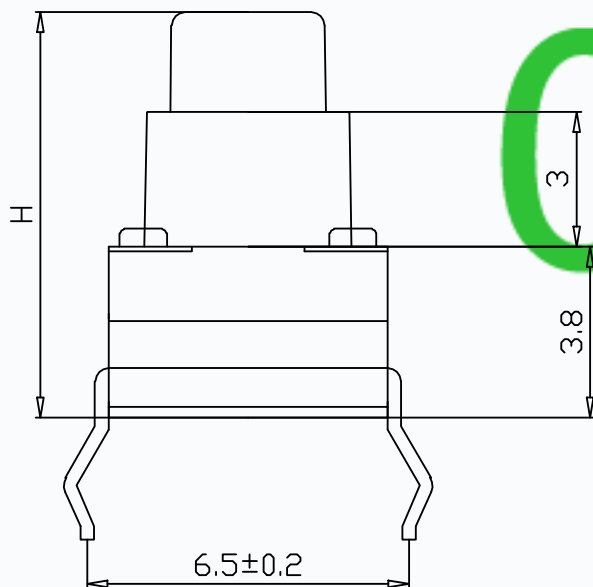


CAD FILE:



CIRCUIT DIAGRAM

MODEL NO.	T6-6060DH-XX-H
XX	H(mm)
25=250GF	4.3
16=160GF	4.5
	5.0
	5.5
	6.0
	6.5
	7.0
	7.5
	8.0
	8.5
	9.0
	9.5
	10.0



P.C.B. LAND PATTERN

SPECIFICATIONS

Rating	50mA 12V DC
Travel	0.25±0.1mm
Contact Resistance	≤ 100 mΩ
Operating temperature	-20℃ ~ 70℃(45% ~ 85% RH)
Operating Force	250±50GF/160±50GF
Operating Life	100,000 Cycles
I _p Rating	IEC529 七級

8				
7				
6	KNOB	NYLON	1	BLACK
5	COVER	NYLON	1	BLACK
4	WATERPROOF SILICONE	SILICA GEL	1	BLACK
3	TERMINAL	BRASS(0.3T)	4	PLATING SILVER
2	CONTACT	SUS	1	NATURAL
1	BASE	NYLON	1	BLACK
NO.	PARTS	MATERIALS	Q'TY	FINISH

TOLERANCE
UNLESS SPECIFIED
WITHIN 1.5mm : ±0.1mm
OVER 1.5mm : ±0.2mm

THESE DRAWINGS AND SPECIFICATIONS
ARE THE PROPERTY OF DONGGUAN
TIANDU ELECTRONICS CO.,LTD. AND
SHALL NOT BE REPRODUCED, COPIED
OR USED IN ANY MANNER WITHOUT
THE PRIOR WRITTEN CONSENT OF
DONGGUAN TIANDU ELECTRONICS CO., LTD

DESCRIPTIONS OF REVISION

APPD.

TITLE : WATERPROOF SWITCH

UNIT : mm

DRWG NO.: CMTDDZ-T6-6060DH-00

MODEL: T6-6060DH-XX-H

SCALE: 3:1

DWN.	ERIC	2013-6-17
CHK'D	MAIKO	2013-6-17
APPD.	Coco	2013-6-17

CMTDDZ 东莞市田都电子有限公司
DONGGUAN TIANDU ELECTRONICS CO.,LTD.