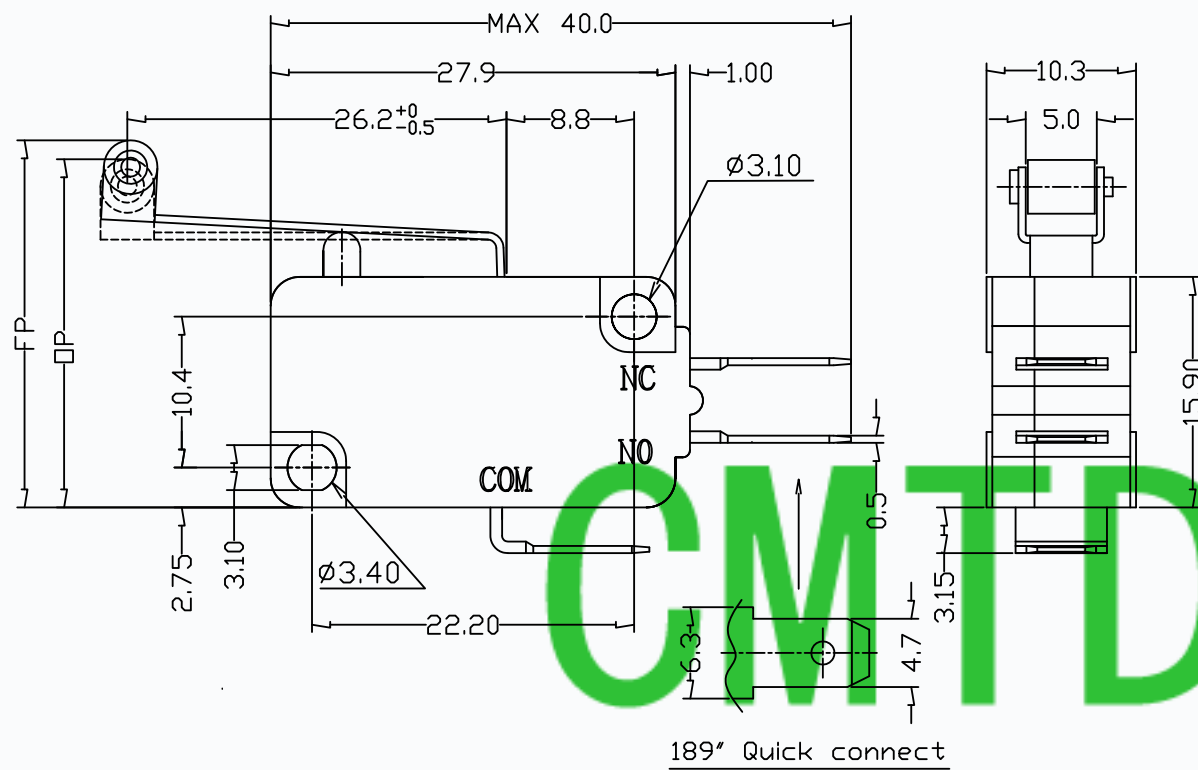


CAD FILE:

DIMENSIONS



MODEL CODE

VM XX-00 XX-X S-XX
 1 2 3 4 5 6 7

1. Series: VM

2. Current Rating: 06=6A 125/250VAC
 10=10A 125/250VAC
 15=15A 125/250VAC
 20=20A 125/250VAC

3. Actuator: 00=Non-lever 01-99=Lever

4. Termination: see chart (N/K/J/L/W/A)
 (7=SPST-NO/16=SPST-NC)

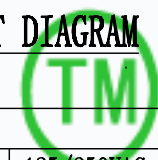
5. Operating Force: see chart

6. Spring Material: S=SUS304

7. Number



CIRCUIT DIAGRAM



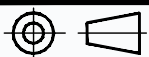
1.Functional spec

1.1 Rated Voltage	125/250VAC
1.2 Rated Current	6A/10A/15A/20A
1.3 Contact Resistance	≤100mΩ(Initial value)
1.4 Operating Force	80±25gf/125±40gf
1.5 Free Position	26.0±1.5mm
1.6 Operating Position	23.5±1.5mm

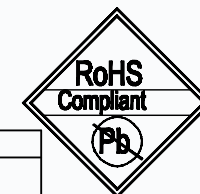
2.Reliable Rating

2.1 Mechanical Life	1,000,000CYCLES
2.2 Electrical Life	10,000CYCLES
2.3 Insulation Resistance	≥100MΩ DC500V(Initial value)
2.4 Withstand Voltage	AC1,500V 1minute(Initial value)
2.5 Soldering Temper	Hand Soldering
2.6 Ambient Humidity Used	<85%RH

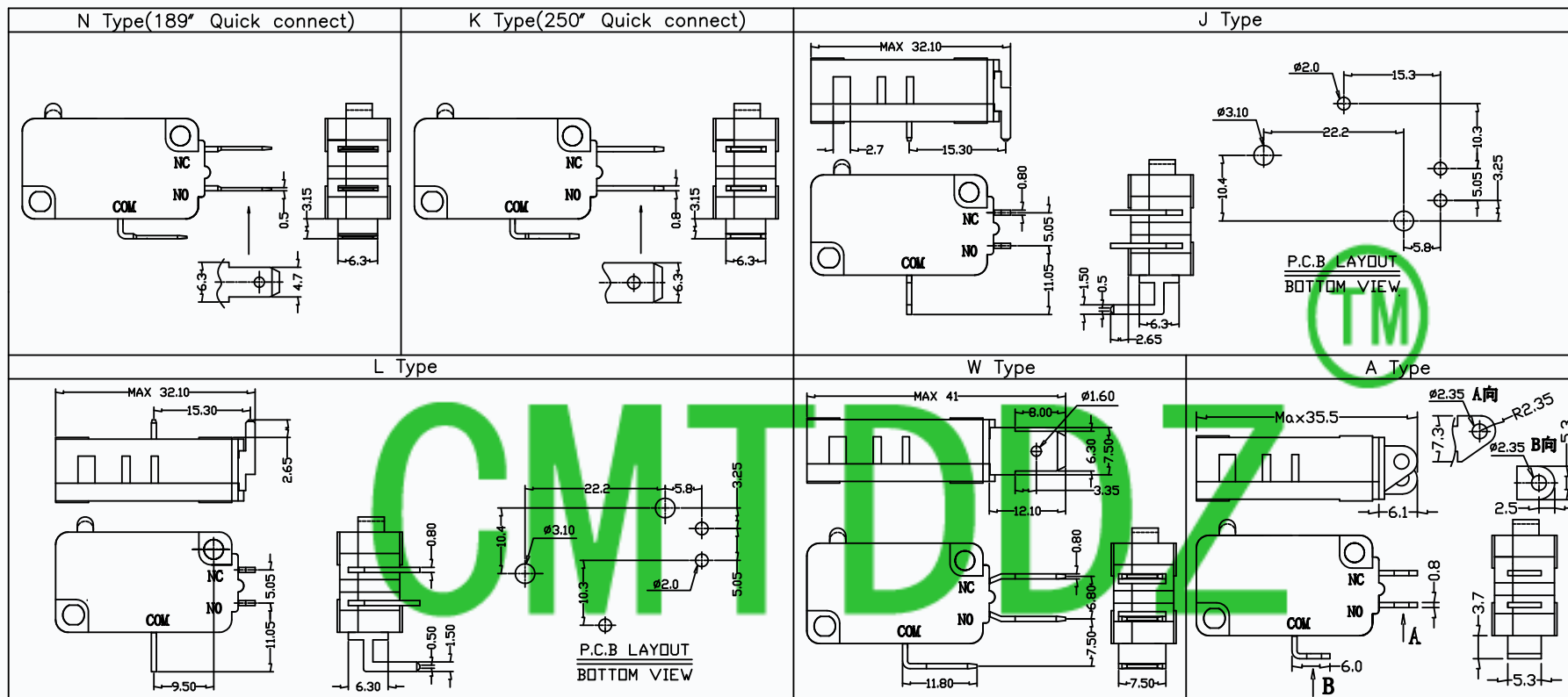
TOLERANCE UNLESS SPECIFIED				
TOLERANCE : ±0.2mm	A	2014-8-29	TIANDU ELECTRONICS	
	ISSUE	DATE	DESCRIPTIONS OF REVISION	APPD.
TITLE : MICRO SWITCH	UNIT : mm	DRWG NO.:TDU-VMXX-00XX-XS-XX		
MODEL:SEE TABLE	SCALE:3:1	DWN.	ERIC	2012-12-12
CMTDDZ 东莞市田都电子有限公司 DONGGUANSHI TIANDU ELECTRONIC CO.,LTD.		CHK'D	MAIKO	2012-12-12
		APPD	Coco	2012-12-12



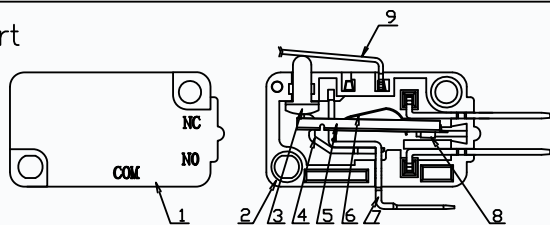
CAD FILE:



Terminal Type



Structure chart



Material list

8	Contact	Silver alloy	3	Silver Plating	TOLERANCE UNLESS SPECIFIED					
7	Terminal	C2680	3	Silver Plating						
6	Spring Plate	C5210	1		TOLERANCE : ±0.2mm	A	2014-8-29	TIANDU ELECTRONICS		
5	Change Plate	C2680	1			ISSUE	DATE	DESCRIPTIONS OF REVISION	APPD.	
4	Fixed Rod	C2680	1		TITLE : MICRO SWITCH		UNIT : mm	DRWG NO.:TDU-VMXX-00XX-XS-XX		
3	Button	PBT	1	Black	MODEL:SEE TABLE		SCALE:3:1	DWN.	ERIC	2012-12-12
2	Lower Housing	PBT	1	Black	CMTDDZ 东莞市田都电子有限公司 DONGGUANSHI TIANDU ELECTRONIC CO.,LTD.			CHK'D	MAIKO	2012-12-12
1	Upper Housing	PBT	1	Black				APPD	Coco	2012-12-12
NO.	PARTS	MATERIALS	Q'TY	FINISH						