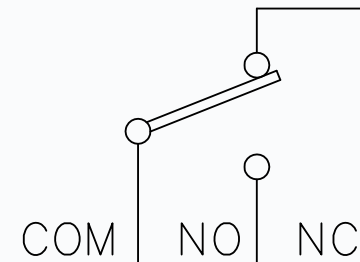
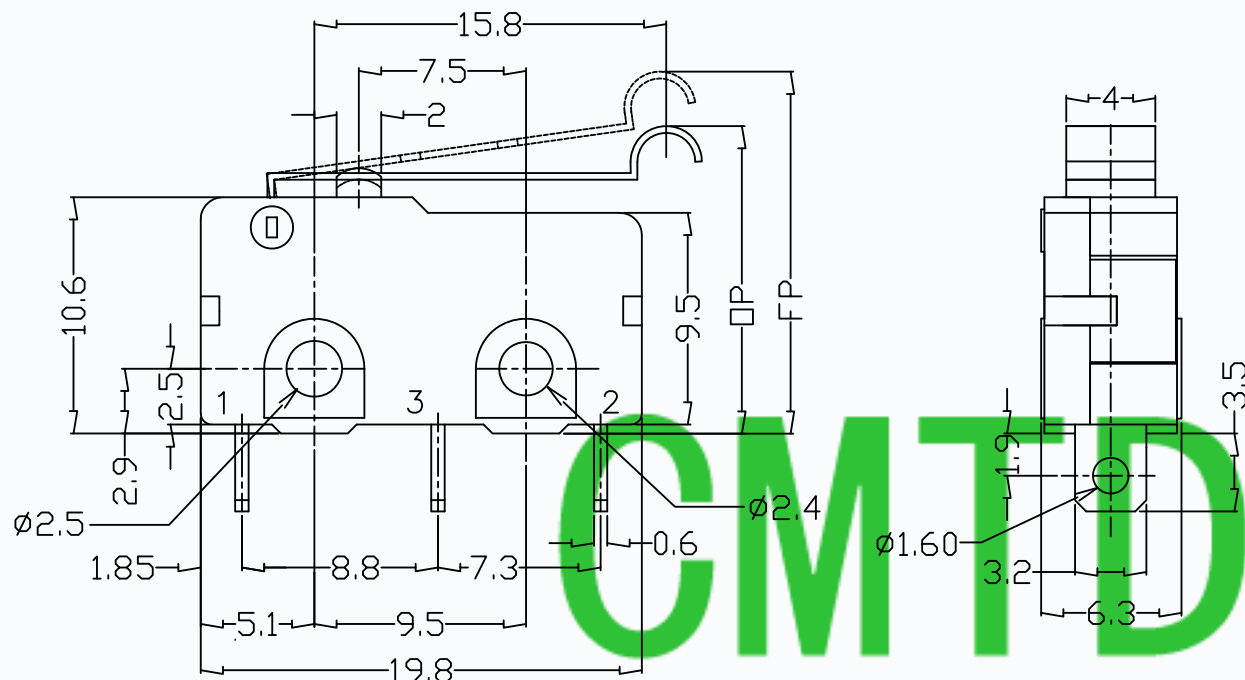


CAD FILE:

DIMENSIONS



CIRCUIT DIAGRAM



MODEL CODE

CM X-00 XX-X S-XX
 1 2 3 4 5 6 7

- 1. Series: CM
- 2. Current Rating: 5=5A 125/250VAC
3=3A 125/250VAC
- 3. Actuator: 00=Non-Lever
01-99=Lever
- 4. Termination: see chart (N/P/C/D/L)
(2=SPST-NO/3=SPST-NC)
- 5. Operating Force: see chart
- 6. Spring Material: S=SUS304
- 7. Number

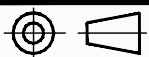
1.Functional spec

1.1 Rated Voltage	125/250VAC
1.2 Rated Current	5A
1.3 Contact Resistance	≤100mΩ(Initial value)
1.4 Operating Force	28±12gf/40±20gf/60±25gf
1.5 Free Position	16.7±0.8mm
1.6 Operating Position	14.5±1.0mm

2.Reliable Rating

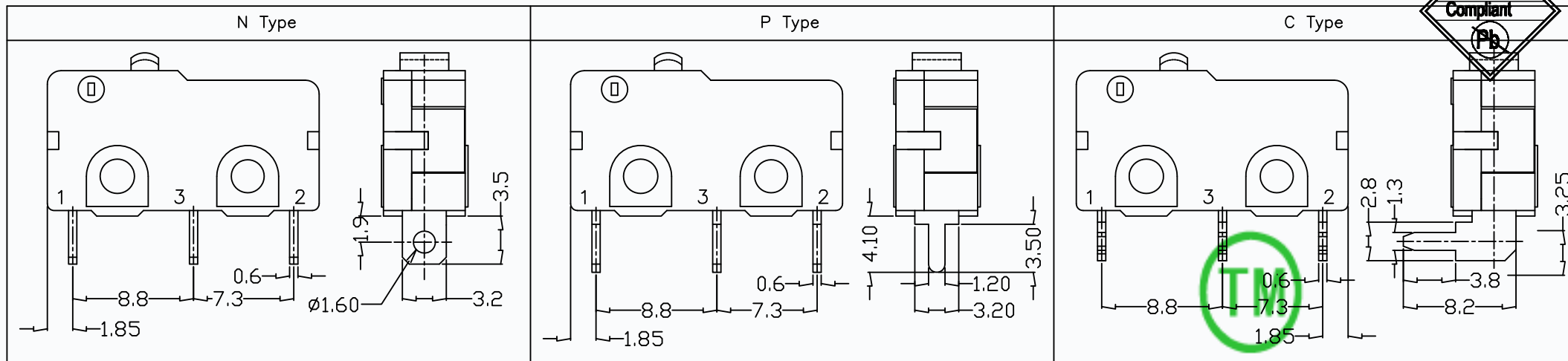
2.1 Mechanical Life	1,000,000CYCLES
2.2 Electrical Life	10,000CYCLES
2.3 Insulation Resistance	≥100MΩ DC500V(Initial value)
2.4 Withstand Voltage	AC1,000V 1minute(Initial value)
2.5 Soldering Temper	250℃ Max 3Sec
2.6 Ambient Humidity Used	<85%RH

TOLERANCE UNLESS SPECIFIED				
TOLERANCE : ±0.2mm	A	2014-8-29	TIANDU ELECTRONICS	
	ISSUE	DATE	DESCRIPTIONS OF REVISION	APPD.
TITLE : MICRO SWITCH		UNIT : mm	DRWG NO.:TDU-CM5-00N-XS-01158	
MODEL:SEE TABLE		SCALE:3:1	DWN.	ERIC 2012-12-12
CMTDDZ 东莞市田都电子有限公司			CHK'D	MAIKO 2012-12-12
DONGGUANSHI TIANDU ELECTRONIC CO.,LTD.			APPD	Coco 2012-12-12

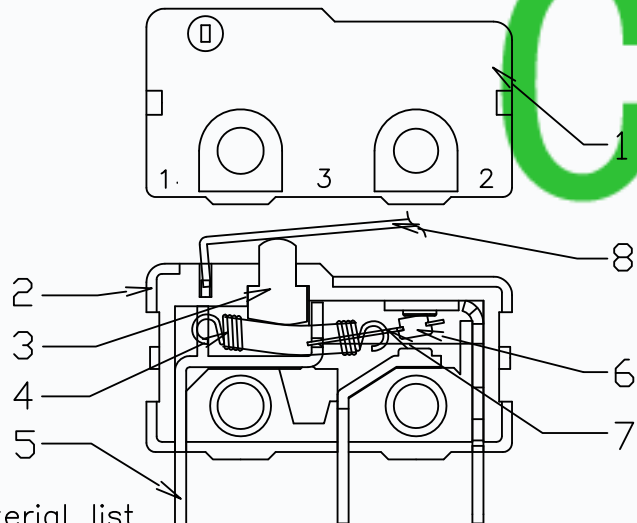


CAD FILE:

Terminal Type



Structure chart



Material list

NO.	PARTS	MATERIALS	Q'TY	FINISH
8	Lever	SUS301		
7	Change Plate	C5210	1	
6	Contact	Compound silver	1	
5	Terminal	C2680	3	
4	Spring	SUS304	1	
3	Button	PBT	1	
2	Lower Housing	PBT	1	
1	Upper Housing	PBT	1	

TOLERANCE UNLESS SPECIFIED		TOLERANCE : ±0.2mm		A		2014-8-29		TIANDU ELECTRONICS		APPD.	
TITLE : MICRO SWITCH		MODEL:SEE TABLE		UNIT : mm		SCALE:3:1		DRWG NO.:TDU-CM5-00N-XS-01158		DWN. ERIC 2012-12-12	
CMTDDZ 东莞市田都电子有限公司		DONGGUANSHI TIANDU ELECTRONIC CO.,LTD.		ISSUE		DATE		DESCRIPTIONS OF REVISION		APPD. MAIKO 2012-12-12	
								APPD. Coco		2012-12-12	