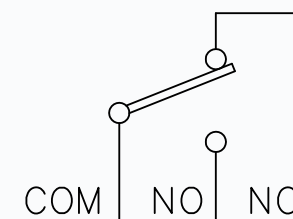
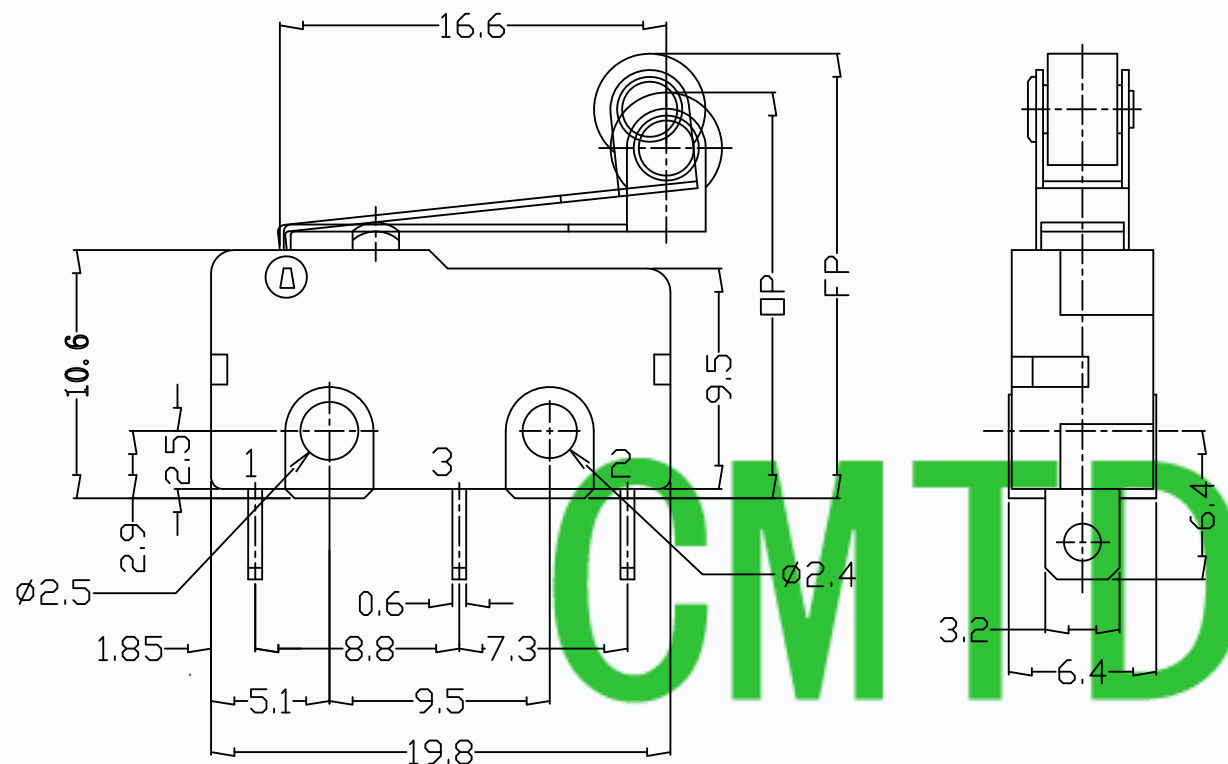


CAD FILE:

DIMENSIONS



CIRCUIT DIAGRAM



MODEL CODE

CM X-00 XX-X S-XX
1 2 3 4 5 6 7

1. Series: CM

2. Current Rating: 5=5A 125/250VAC
3=3A 125/250VAC

3. Actuator: 00=Non-Lever
01-99=Lever

4. Termination: see chart (N/P/C/D/L)
(2=SPST-NO/3=SPST-NC)

5. Operating Force: see chart

6. Spring Material: S=SUS304

7. Number

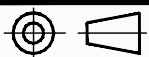
1.Functional spec

1.1 Rated Voltage	125/250VAC
1.2 Rated Current	5A
1.3 Contact Resistance	≤100mΩ(Initial value)
1.4 Operating Force	30±12gf/45±20gf/68±25gf
1.5 Free Position	19.8±1.0mm
1.6 Operating Position	17.8±1.0mm

2.Reliable Rating

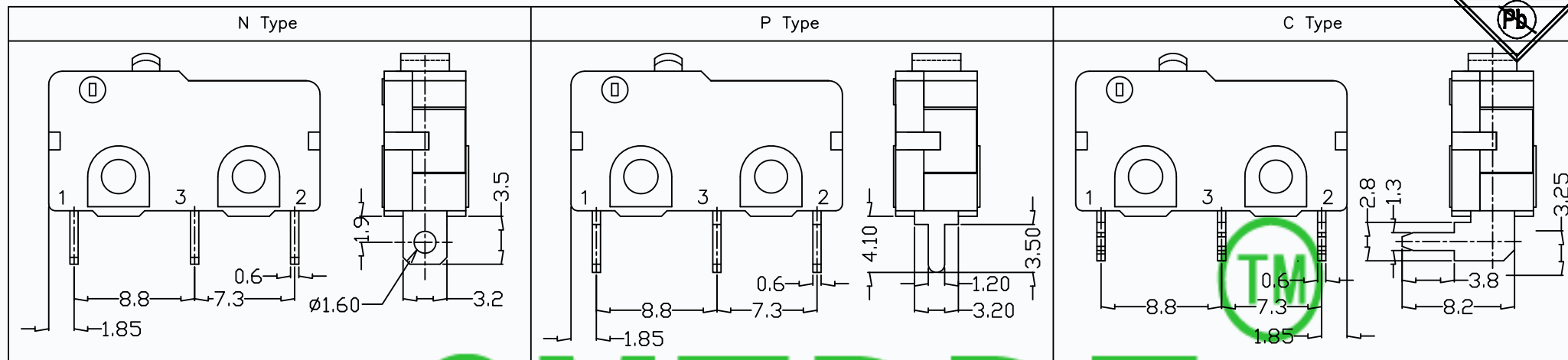
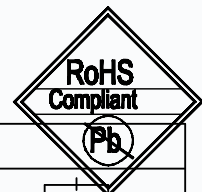
2.1 Mechanical Life	1,000,000CYCLES
2.2 Electrical Life	10,000CYCLES
2.3 Insulation Resistance	≥100MΩ DC500V(Initial value)
2.4 Withstand Voltage	AC1,000V 1minute(Initial value)
2.5 Soldering Temper	250℃ Max 3Sec
2.6 Ambient Humidity Used	<85%RH

TOLERANCE UNLESS SPECIFIED			
TOLERANCE : ±0.2mm	A	2014-8-29	TIANDU ELECTRONICS
	ISSUE	DATE	DESCRIPTIONS OF REVISION APPD.
TITLE : MICRO SWITCH	UNIT : mm	DRWG NO.:TDU-CM5-00N-XS-01166	
MODEL:SEE TABLE	SCALE:3:1	DWN.	ERIC 2012-12-12
CMTDDZ 东莞市田都电子有限公司 DONGGUANSHI TIANDU ELECTRONIC CO.,LTD.		CHK'D	MAIKO 2012-12-12
		APPD	Coco 2012-12-12

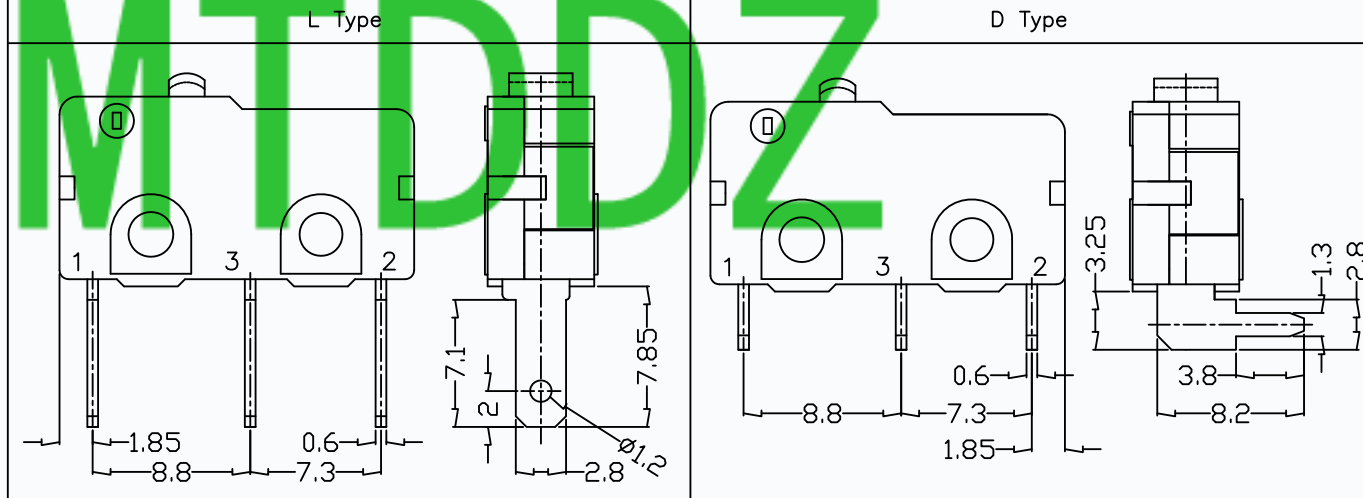
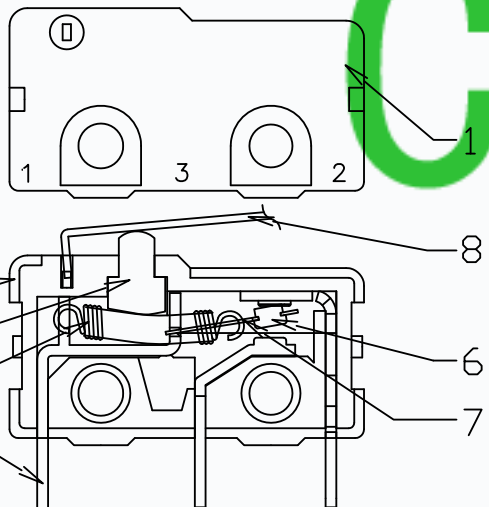


CAD FILE:

Terminal Type



Structure chart



Material list

8	Lever	SUS301							
7	Change Plate	C5210	1						
6	Contact	Compound silver	1						
5	Terminal	C2680	3						
4	Spring	SUS304	1						
3	Button	PBT	1						
2	Lower Housing	PBT	1						
1	Upper Housing	PBT	1						
NO.	PARTS	MATERIALS	Q'TY	FINISH					

TOLERANCE UNLESS SPECIFIED				
TOLERANCE : ±0.2mm	A	2014-8-29	TIANDU ELECTRONICS	
	ISSUE	DATE	DESCRIPTIONS OF REVISION	APPD.
TITLE : MICRO SWITCH			UNIT : mm	DRWG NO.:TDU-CM5-00N-XS-01166
MODEL:SEE TABLE			SCALE:3:1	DWN. ERIC 2012-12-12
CMTDDZ 东莞市田都电子有限公司			CHK'D MAIKO	2012-12-12
DONGGUANSHI TIANDU ELECTRONIC CO.,LTD.			APPD Coco	2012-12-12