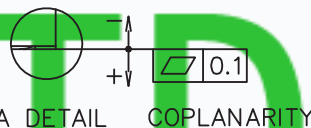
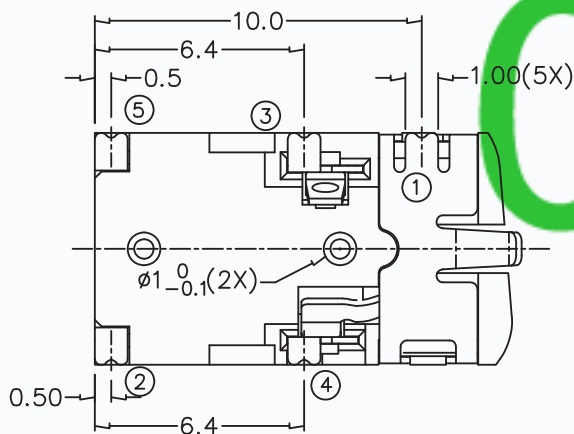
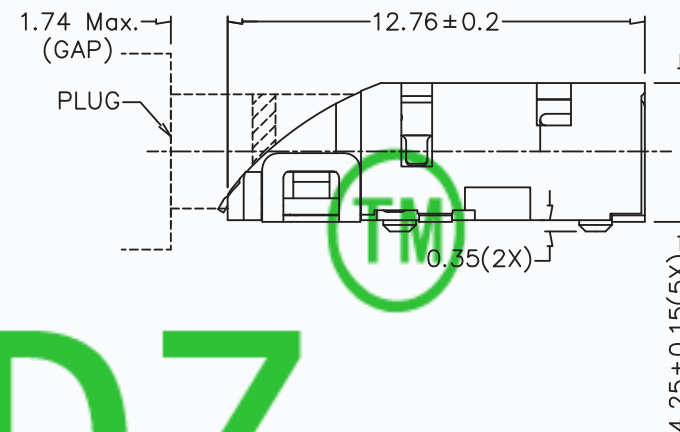
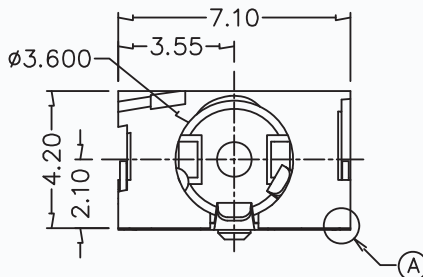
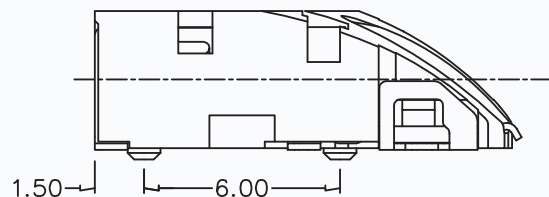
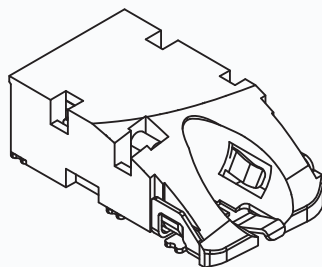


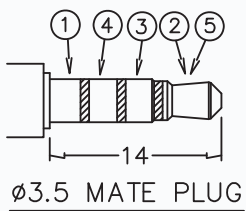
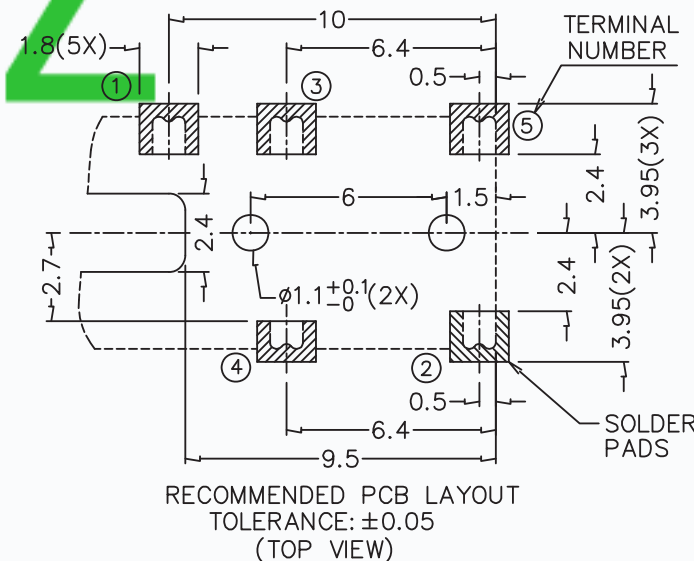
CAD FILE:



* MATERIAL

- TERMINAL 1 : COPPER ALLOY
- TERMINAL 2 : COPPER ALLOY
- TERMINAL 3 : COPPER ALLOY
- TERMINAL 4 : COPPER ALLOY
- TERMINAL 5 : COPPER ALLOY
- HOUSING : PA10T

MODEL NO.	T13-3580D
SCHEMATIC	



**TOLERANCE
UNLESS SPECIFIED**
 WITHIN 1.5mm : ±0.1mm
 OVER 1.5mm : ±0.2mm

THESE DRAWINGS AND SPECIFICATIONS ARE THE PROPERTY OF DONGGUAN TIANDU ELECTRONICS CO.,LTD. AND SHALL NOT BE REPRODUCED, COPIED OR USED IN ANY MANNER WITHOUT THE PRIOR WRITTEN CONSENT OF DONGGUAN TIANDU ELECTRONICS CO., LTD.

TITLE : 3.5mm PHONE JACK

UNIT : mm

DRWG NO.: CMTDDZ-T13-3580D-00

MODEL: T13-3580D

SCALE: 3:1

DWN.	ERIC	2013-6-17
------	------	-----------

CMTDDZ 东莞市田都电子有限公司
 DONGGUAN TIANDU ELECTRONICS CO.,LTD.

CHK'D	MAIKO	2013-6-17
APPD.	Coco	2013-6-17

APPD.	DESCRIPTIONS OF REVISION
-------	--------------------------