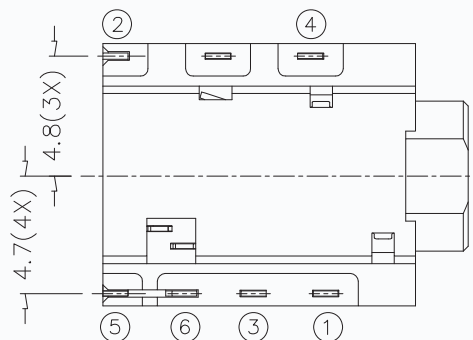
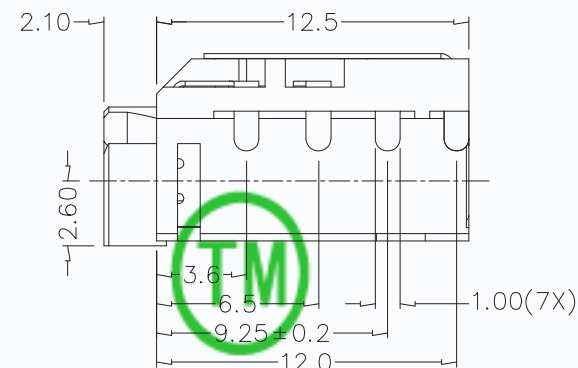
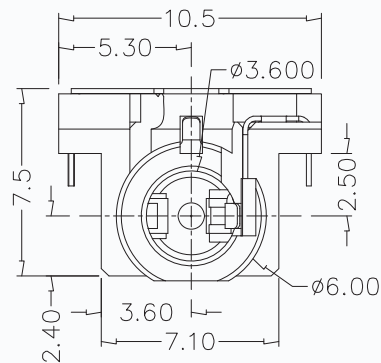
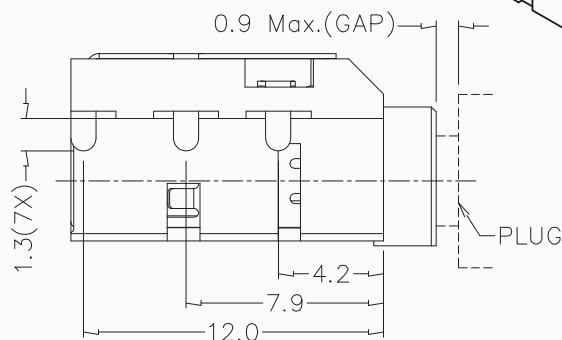
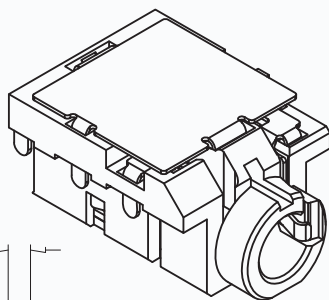


CAD FILE:

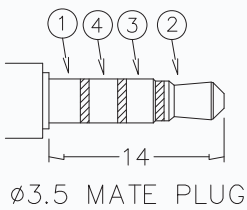
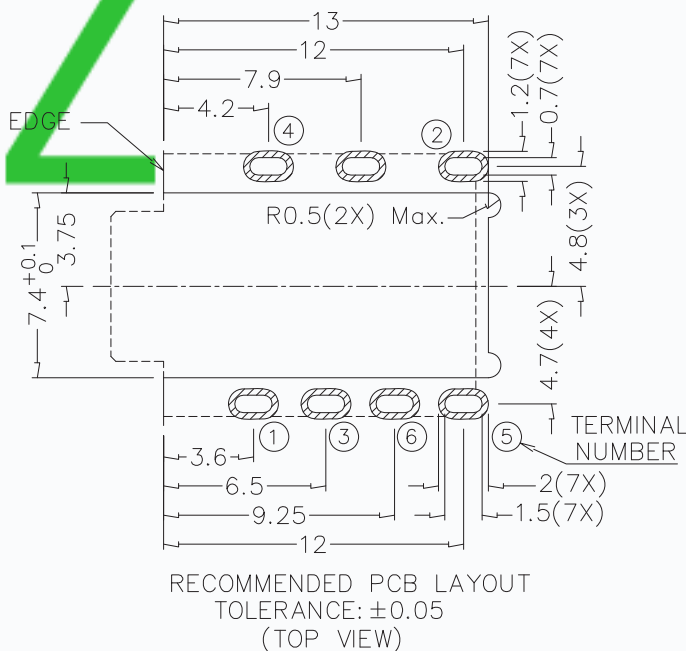


CMTDDZ

* MATERIAL

- TERMINAL 1 : COPPER ALLOY
- TERMINAL 2 : COPPER ALLOY
- TERMINAL 3 : COPPER ALLOY
- TERMINAL 4 : COPPER ALLOY
- TERMINAL 5 : COPPER ALLOY
- TERMINAL 6 : COPPER ALLOY
- SHIELD : BRASS
- HOUSING : PA10T
- INSULATOR : PA10T

PCB EDGE



MODEL NO.	T13-3576D
SCHMATIC	

		TOLERANCE UNLESS SPECIFIED WITHIN 1.5mm : ±0.1mm OVER 1.5mm : ±0.2mm	THESE DRAWINGS AND SPECIFICATIONS ARE THE PROPERTY OF DONGGUAN TIANDU ELECTRONICS CO.,LTD. AND SHALL NOT BE REPRODUCED, COPIED OR USED IN ANY MANNER WITHOUT THE PRIOR WRITTEN CONSENT OF DONGGUAN TIANDU ELECTRONICS CO., LTD	TITLE : 3.5mm PHONE JACK		UNIT : mm		DRWG NO.: CMTDDZ-T13-3576D-00		
				MODEL: T13-3576D		SCALE: 3:1		DWN.	ERIC	2013-6-17
APPD.	DESCRIPTIONS OF REVISION			CMTDDZ 东莞市田都电子有限公司 DONGGUAN TIANDU ELECTRONICS CO.,LTD.		CHK'D	MAIKO	2013-6-17		
						APPD.	Coco	2013-6-17		