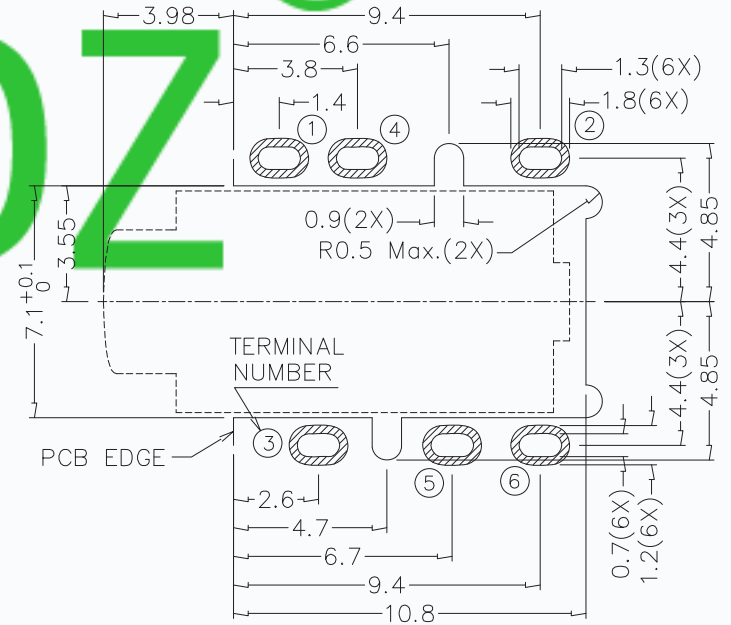
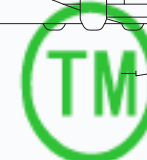
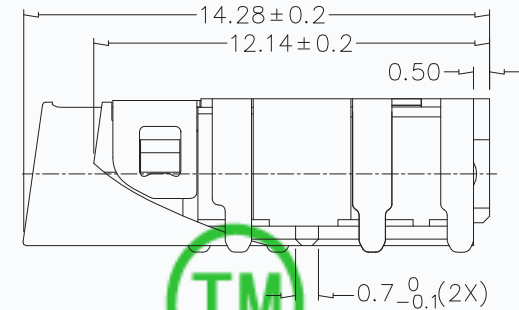
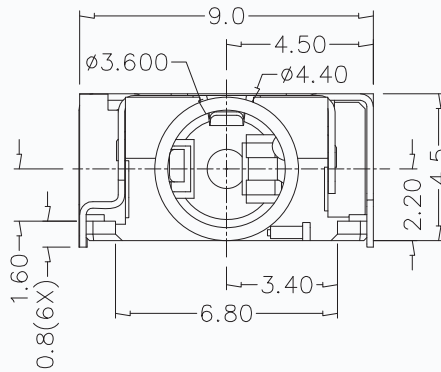
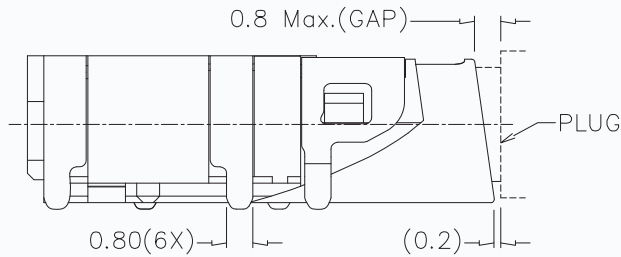
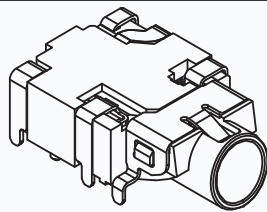


CAD FILE:



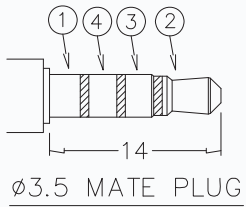
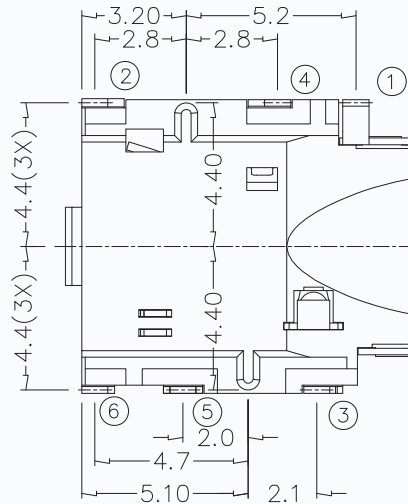
RECOMMENDED PCB LAYOUT  
TOLERANCE: ±0.05  
(TOP VIEW)

# CMTDDZ

※ MATERIAL

- TERMINAL 1 : COPPER ALLOY
- TERMINAL 2 : COPPER ALLOY
- TERMINAL 3 : COPPER ALLOY
- TERMINAL 4 : COPPER ALLOY
- TERMINAL 5 : COPPER ALLOY
- TERMINAL 6 : COPPER ALLOY
- HOUSING : PA10T
- INSULATOR : PA10T

MODEL NO.	T13-3573D
SCHMATIC	



APPD.	DESCRIPTIONS OF REVISION	<p><b>TOLERANCE</b> UNLESS SPECIFIED WITHIN 1.5mm : ±0.1mm OVER 1.5mm : ±0.2mm</p>	<p>THESE DRAWINGS AND SPECIFICATIONS ARE THE PROPERTY OF DONGGUAN TIANDU ELECTRONICS CO.,LTD. AND SHALL NOT BE REPRODUCED. COPIED OR USED IN ANY MANNER WITHOUT THE PRIOR WRITTEN CONSENT OF DONGGUAN TIANDU ELECTRONICS CO., LTD.</p>	TITLE : 3.5mm PHONE JACK	UNIT : mm	DRWG NO.: CMTDDZ-T13-3573-00		
				MODEL: T13-3573D	SCALE: 3:1	DWN.	ERIC	2013-6-17
				<p><b>CMTDDZ</b> 东莞市田都电子有限公司 DONGGUAN TIANDU ELECTRONICS CO.,LTD.</p>			CHK'D	MAIKO
				APPD.	Coco	2013-6-17		