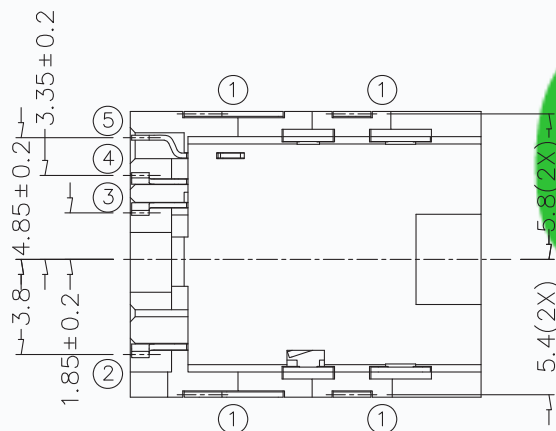
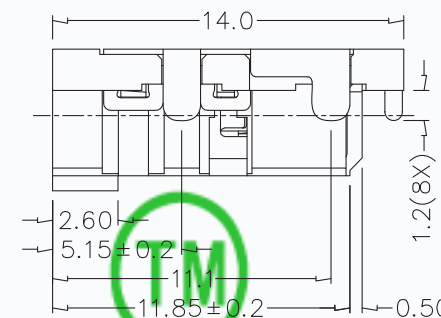
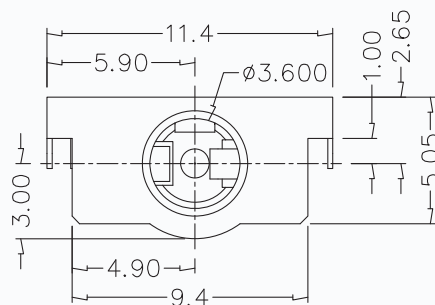
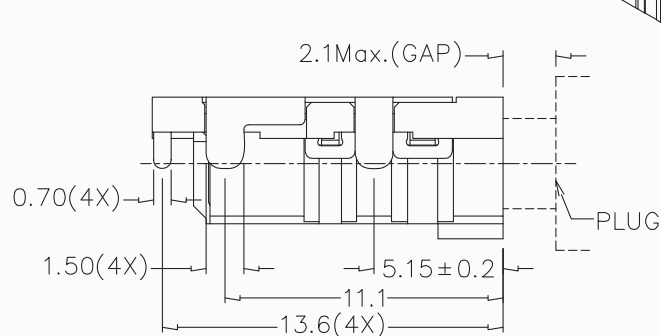
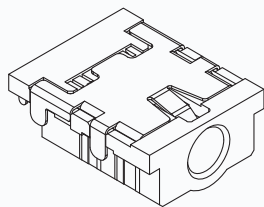


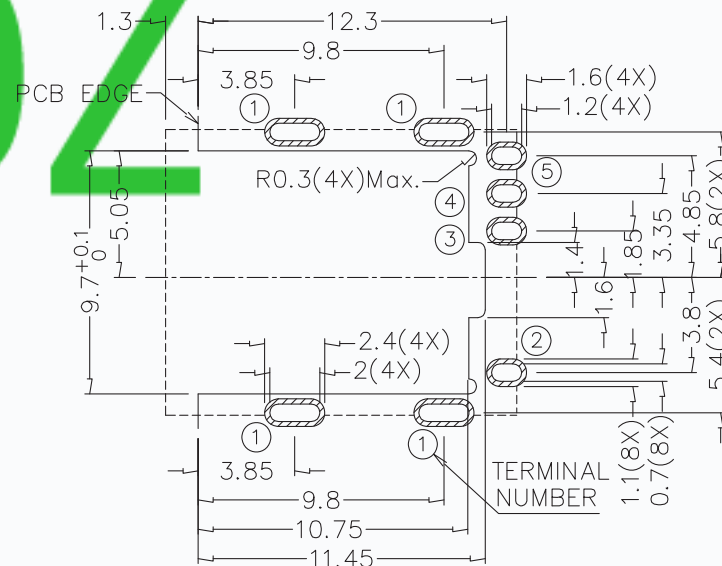
CAD FILE:



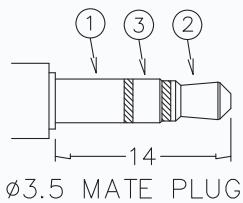
# CMTDDZ

**\* MATERIAL**

- TERMINAL 1 : COPPER ALLOY
- TERMINAL 2 : COPPER ALLOY
- TERMINAL 3 : COPPER ALLOY
- TERMINAL 4 : COPPER ALLOY
- TERMINAL 5 : COPPER ALLOY
- HOUSING : PA10T



RECOMMENDED PCB LAYOUT  
TOLERANCE: ±0.05  
(TOP VIEW)



MODEL NO.	T13-3566D
SCHEMATIC	

APPD.	DESCRIPTIONS OF REVISION	<b>TOLERANCE</b> UNLESS SPECIFIED WITHIN 1.5mm : ±0.1mm OVER 1.5mm : ±0.2mm	THESE DRAWINGS AND SPECIFICATIONS ARE THE PROPERTY OF DONGGUAN TIANDU ELECTRONICS CO.,LTD. AND SHALL NOT BE REPRODUCED. COPIED OR USED IN ANY MANNER WITHOUT THE PRIOR WRITTEN CONSENT OF DONGGUAN TIANDU ELECTRONICS CO., LTD	TITLE : 3.5mm PHONE JACK		UNIT : mm	DRWG NO.: CMTDDZ-T13-3566-00		
				MODEL: T13-3566D		SCALE: 3:1	DWN.	ERIC	2013-6-17
				<b>CMTDDZ</b> 东莞市田都电子有限公司 DONGGUAN TIANDU ELECTRONICS CO.,LTD.		APPD.	Coco	2013-6-17	