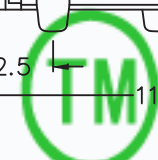
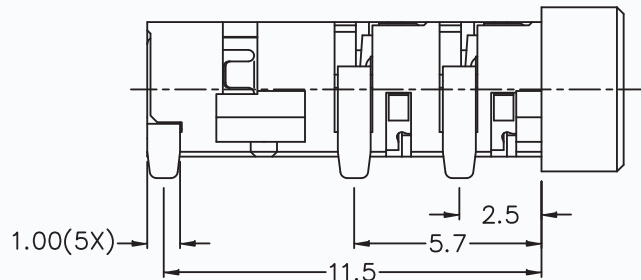
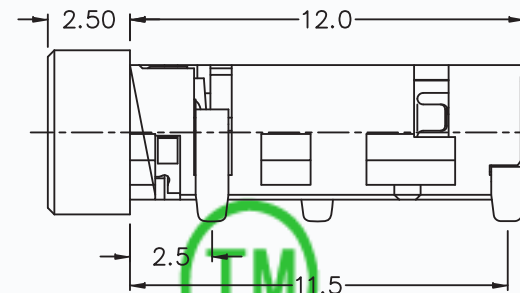
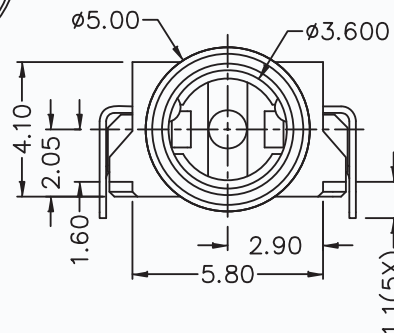
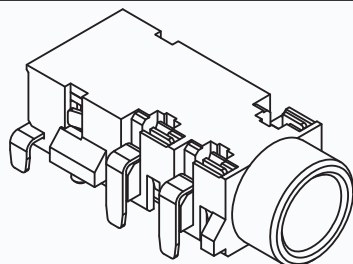


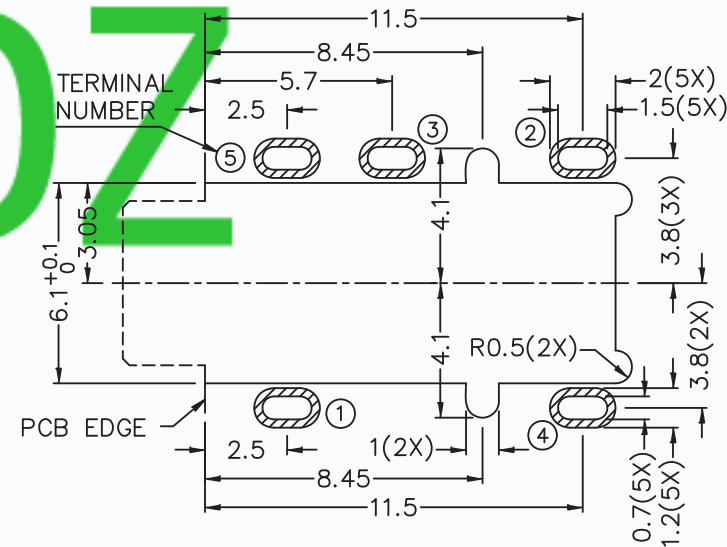
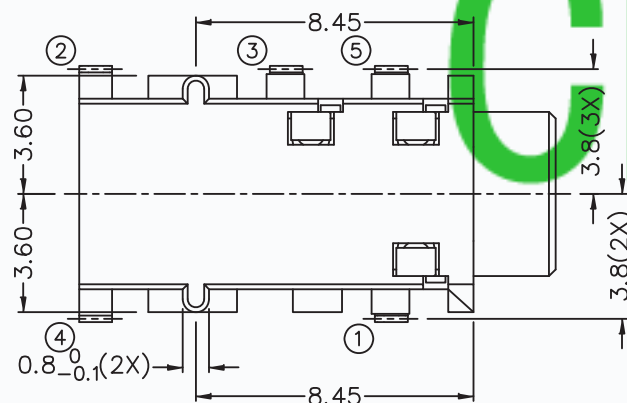
CAD FILE:



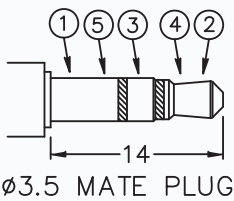
CMTDDZ

*** MATERIAL**

- TERMINAL 1 : COPPER ALLOY
- TERMINAL 2 : COPPER ALLOY
- TERMINAL 3 : COPPER ALLOY
- TERMINAL 4 : COPPER ALLOY
- TERMINAL 5 : COPPER ALLOY
- HOUSING : PA6T



RECOMMENDED PCB LAYOUT
TOLERANCE: ±0.05
(TOP VIEW)



φ3.5 MATE PLUG

MODEL NO.	T13-3556D
SCHMATIC	

APPD.	DESCRIPTIONS OF REVISION	TOLERANCE UNLESS SPECIFIED	THESE DRAWINGS AND SPECIFICATIONS ARE THE PROPERTY OF DONGGUAN TIANDU ELECTRONICS CO.,LTD. AND SHALL NOT BE REPRODUCED. COPIED OR USED IN ANY MANNER WITHOUT THE PRIOR WRITTEN CONSENT OF DONGGUAN TIANDU ELECTRONICS CO., LTD.	TITLE : 3.5mm PHONE JACK	UNIT : mm	DRWG NO.: CMTDDZ-T13-3556D-00		
		WITHIN 1.5mm : ±0.1mm OVER 1.5mm : ±0.2mm		MODEL: T13-3556D	SCALE: 3:1	DWN.	ERIC	2013-6-17
				CMTDDZ 东莞市田都电子有限公司		CHK'D	MAIKO	2013-6-17
				DONGGUAN TIANDU ELECTRONICS CO.,LTD.		APPD.	Coco	2013-6-17