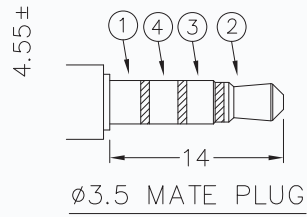
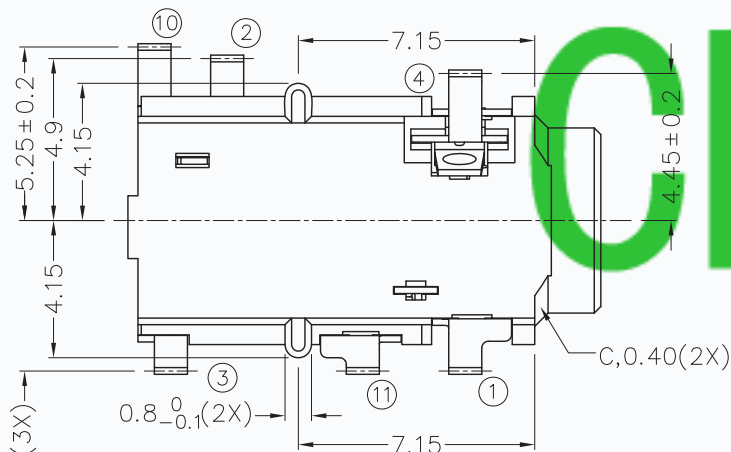
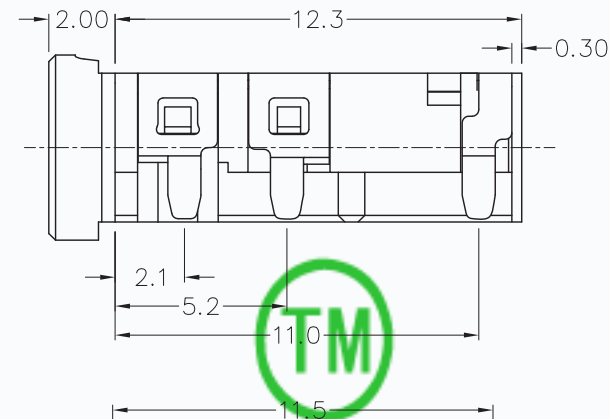
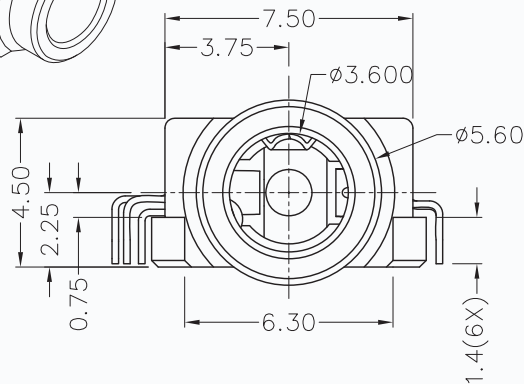
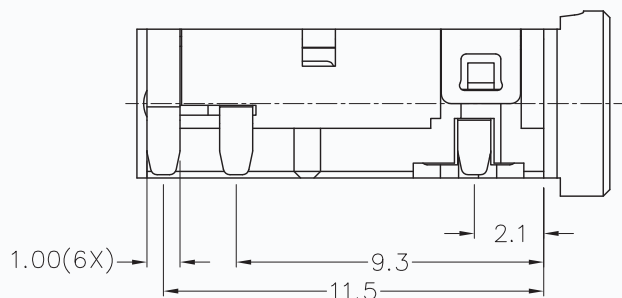
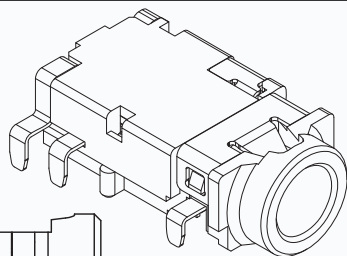


CAD FILE:

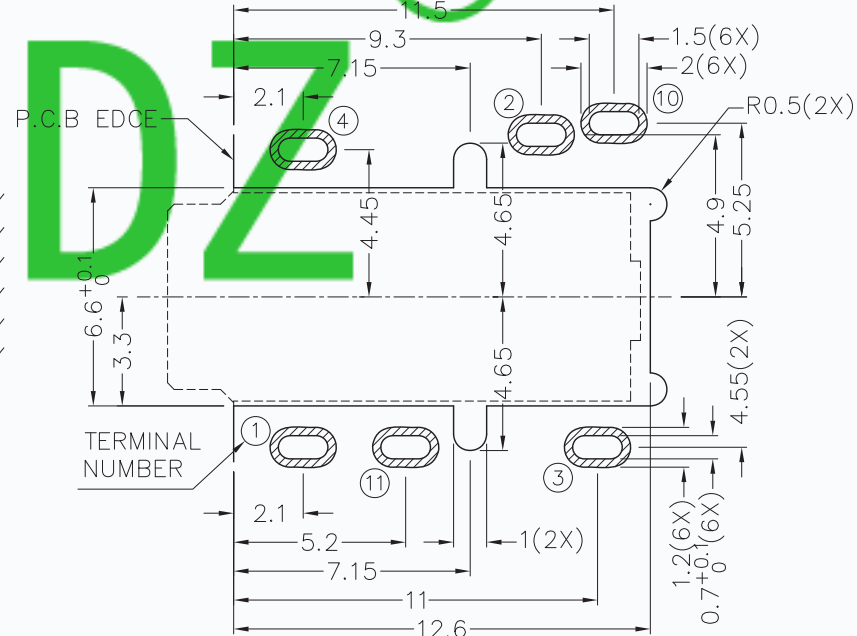


CMTDDZ

* MATERIAL

- TERMINAL 1 : COPPER ALLOY
- TERMINAL 2 : COPPER ALLOY
- TERMINAL 3 : COPPER ALLOY
- TERMINAL 4 : COPPER ALLOY
- TERMINAL 10 : COPPER ALLOY
- TERMINAL 11 : COPPER ALLOY
- HOUSING : PA6T

MODEL NO.	T13-3550D
SCHEMATIC	



RECOMMENDED PCB LAYOUT
TOLERANCE: ± 0.05
(TOP VIEW)

APPD.	DESCRIPTIONS OF REVISION
-------	--------------------------

TOLERANCE UNLESS SPECIFIED
WITHIN 1.5mm : ± 0.1 mm
OVER 1.5mm : ± 0.2 mm

THESE DRAWINGS AND SPECIFICATIONS ARE THE PROPERTY OF DONGGUAN TIANDU ELECTRONICS CO.,LTD. AND SHALL NOT BE REPRODUCED, COPIED OR USED IN ANY MANNER WITHOUT THE PRIOR WRITTEN CONSENT OF DONGGUAN TIANDU ELECTRONICS CO., LTD.

TITLE : 3.5mm PHONE JACK
MODEL: T13-3550D
CMTDDZ 东莞市田都电子有限公司 DONGGUAN TIANDU ELECTRONICS CO.,LTD.

UNIT : mm	DRWG NO.: CMTDDZ-T13-3550-00
SCALE: 3:1	DWN. ERIC 2013-6-17
APPD. Coco	CHK'D MAIKO 2013-6-17
	APPD. Coco 2013-6-17