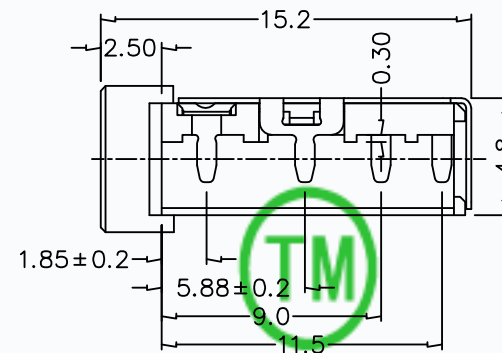
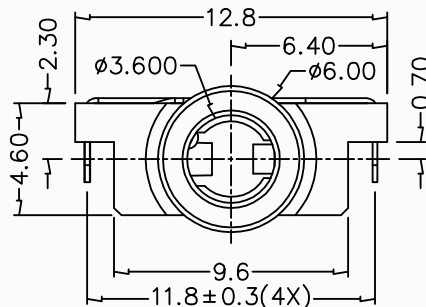
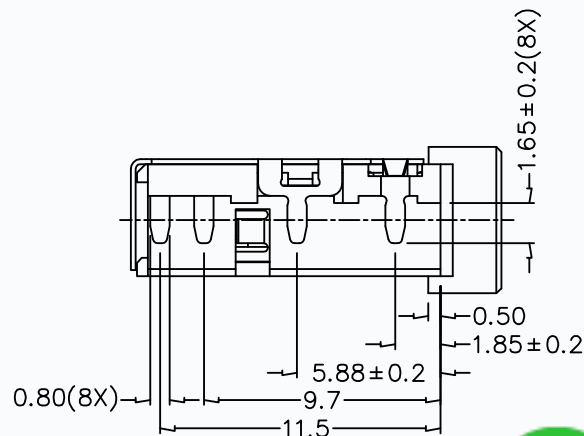
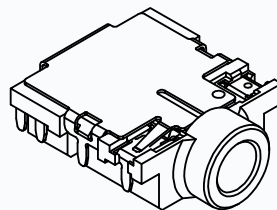
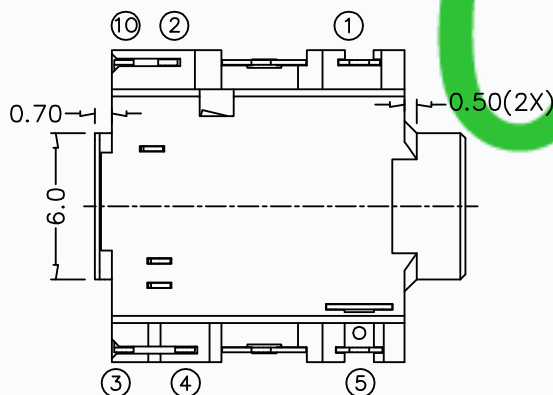


CAD FILE:

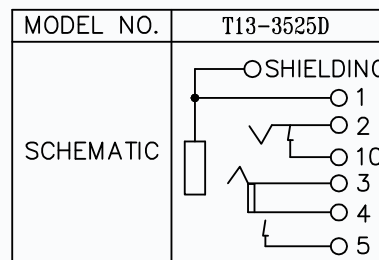
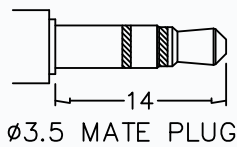
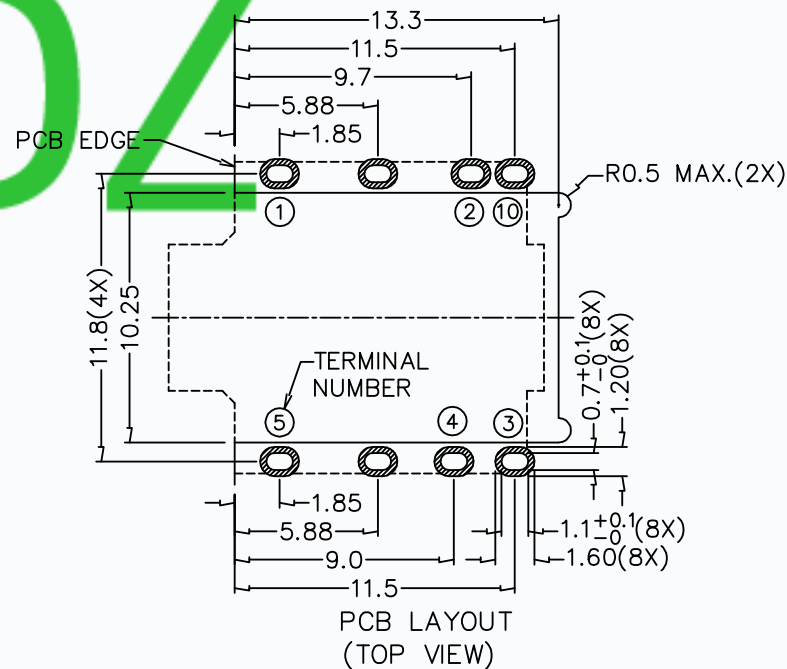


# CMTDDZ



**\* MATERIAL**

- TERMINAL 1 : COPPER ALLOY
- TERMINAL 2 : COPPER ALLOY
- TERMINAL 3 : COPPER ALLOY
- TERMINAL 4 : COPPER ALLOY
- TERMINAL 5 : COPPER ALLOY
- TERMINAL 10: COPPER ALLOY
- SHIELD : COPPER ALLOY
- HOUSING : PA6T



APPD.	DESCRIPTIONS OF REVISION	TOLERANCE UNLESS SPECIFIED	THESE DRAWINGS AND SPECIFICATIONS ARE THE PROPERTY OF DONGGUAN TIANDU ELECTRONICS CO.,LTD. AND SHALL NOT BE REPRODUCED. COPIED OR USED IN ANY MANNER WITHOUT THE PRIOR WRITTEN CONSENT OF DONGGUAN TIANDU ELECTRONICS CO., LTD	TITLE : 3.5mm SMD PHONE JACK	UNIT : mm	DRWG NO.: CMTDDZ-T13-3525-00		
		WITHIN 1.5mm : ±0.1mm OVER 1.5mm : ±0.2mm		MODEL: T13-3525D	SCALE: 3:1	DWN.	ERIC	2013-6-17
				CMTDDZ 东莞市田都电子有限公司 DONGGUAN TIANDU ELECTRONICS CO.,LTD.		CHK'D	MAIKO	2013-6-17
				APPD.	Coco	2013-6-17		