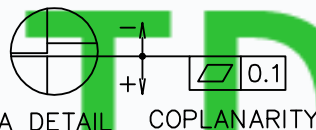
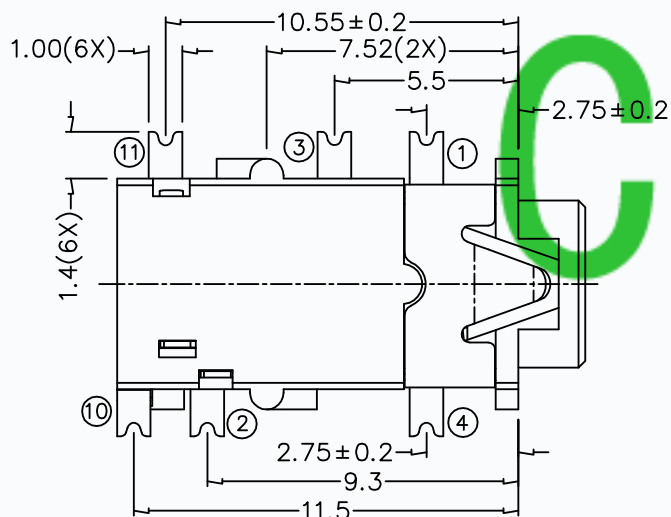
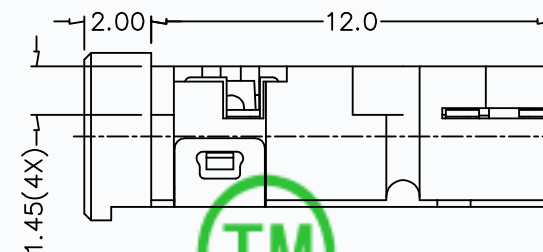
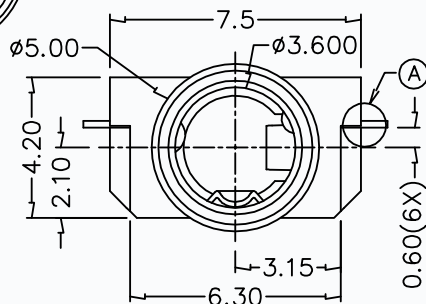
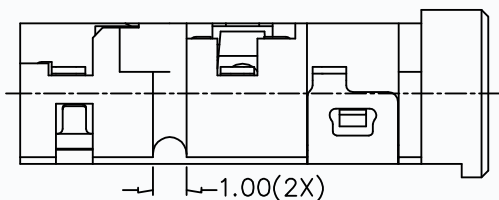
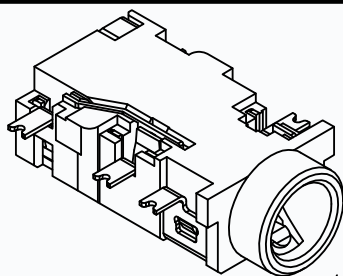


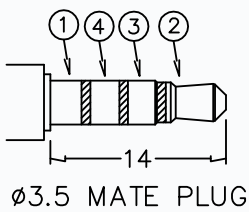
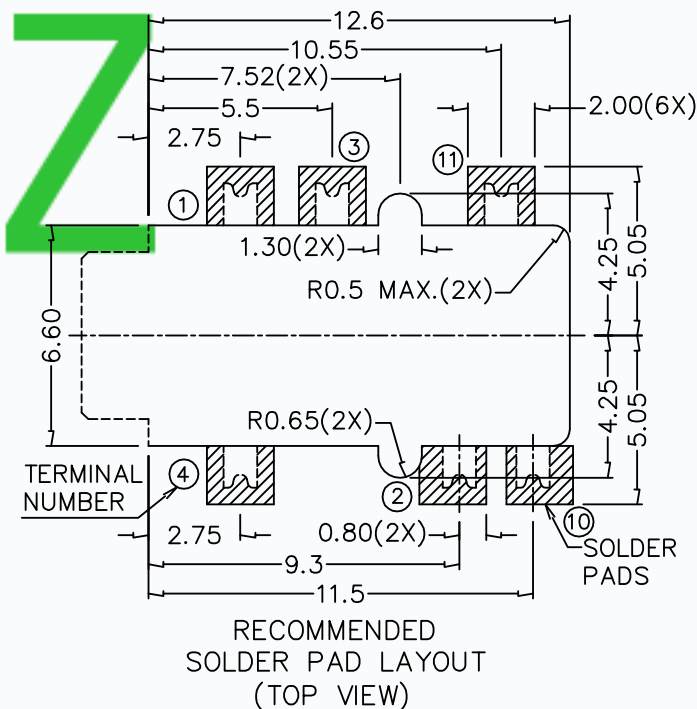
CAD FILE:



* MATERIAL

- TERMINAL 1 : COPPER ALLOY
- TERMINAL 2 : COPPER ALLOY
- TERMINAL 3 : COPPER ALLOY
- TERMINAL 4 : COPPER ALLOY
- TERMINAL 10 : COPPER ALLOY
- TERMINAL 11 : COPPER ALLOY
- HOUSING : PA6T

MODEL NO.	T13-3518D
SCHMATIC	



APPD.	DESCRIPTIONS OF REVISION

TOLERANCE UNLESS SPECIFIED
WITHIN 1.5mm : ±0.1mm
OVER 1.5mm : ±0.2mm

THESE DRAWINGS AND SPECIFICATIONS ARE THE PROPERTY OF DONGGUAN TIANDU ELECTRONICS CO.,LTD. AND SHALL NOT BE REPRODUCED, COPIED OR USED IN ANY MANNER WITHOUT THE PRIOR WRITTEN CONSENT OF DONGGUAN TIANDU ELECTRONICS CO., LTD.

TITLE : 3.5mm SMD PHONE JACK	UNIT : mm
MODEL: T13-3518D	SCALE: 3:1
CMTDDZ 东莞市田都电子有限公司	
DONGGUAN TIANDU ELECTRONICS CO.,LTD.	

DRWG NO.: CMTDDZ-T13-3518D-00		
DWN.	ERIC	2013-6-17
CHK'D	MAIKO	2013-6-17
APPD.	Coco	2013-6-17