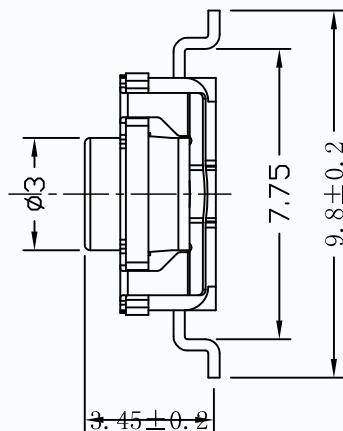
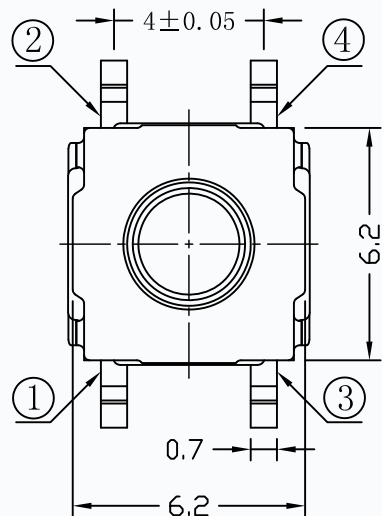
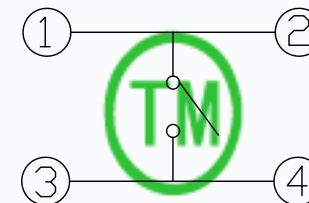


CAD FILE:

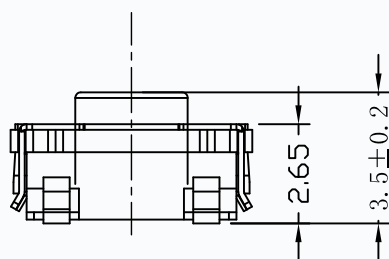


MODEL NO.	XX	H(MM)
T6-6262CS-XX-H	16=160GF	3.5
	20=200GF	4.7
	30=300GF	5.2

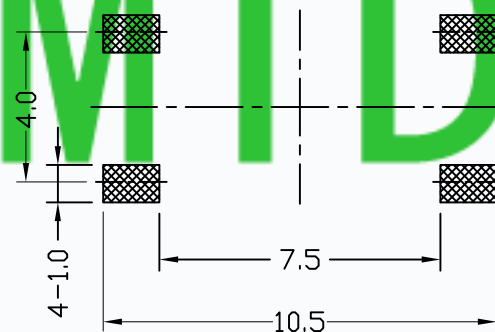


CIRCUIT DIAGRAM

**CMTDDZ**



REFERENCE DRAWING



P.C.B LAND DIMENSION

**SPECIFICATIONS**

Rating	50mA 12V DC
Travel	0.5±0.3mm
Contact Resistance	≤ 100 mΩ
Operating temperature	-30℃ ~ 85℃ ( 45% ~ 85% RH )
Operating Force	150±50/250±50gf
Operating Life	500,000 Cycles
Ip Rating	IP67

NO.	PARTS	MATERIALS	Q'TY	FINISH
8				
7				
6				
5	KNOB	SILICONE	1	WHITE
4	COVER	SUS	1	
3	TERMINAL	H65	4	Ag plating
2	CONTACT	SUS	1	Ag plating
1	BASE	PA6T	1	-----

**TOLERANCE  
UNLESS SPECIFIED**  
WITHIN 1.5mm : ±0.1mm  
OVER 1.5mm : ±0.2mm

THESE DRAWINGS AND SPECIFICATIONS ARE THE PROPERTY OF DONGGUAN TIANDU ELECTRONICS CO.,LTD. AND SHALL NOT BE REPRODUCED, COPIED OR USED IN ANY MANNER WITHOUT THE PRIOR WRITTEN CONSENT OF DONGGUAN TIANDU ELECTRONICS CO., LTD

DESCRIPTIONS OF REVISION

APPD.

TITLE : WATERPROOF SWITCH

UNIT : mm

DRWG NO.: CMTDDZ-T6-6262CS-00

MODEL: T6-6262CS-XX-H

SCALE: 3:1

DWN. ERIC 2013-6-17

**CMTDDZ 东莞市田都电子有限公司**  
DONGGUAN TIANDU ELECTRONICS CO.,LTD.

CHK'D MAIKO 2013-6-17

APPD. Coco 2013-6-17