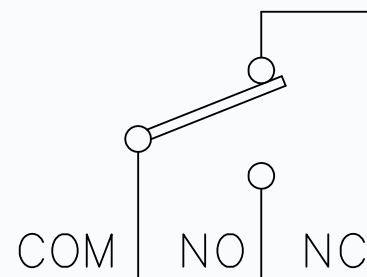
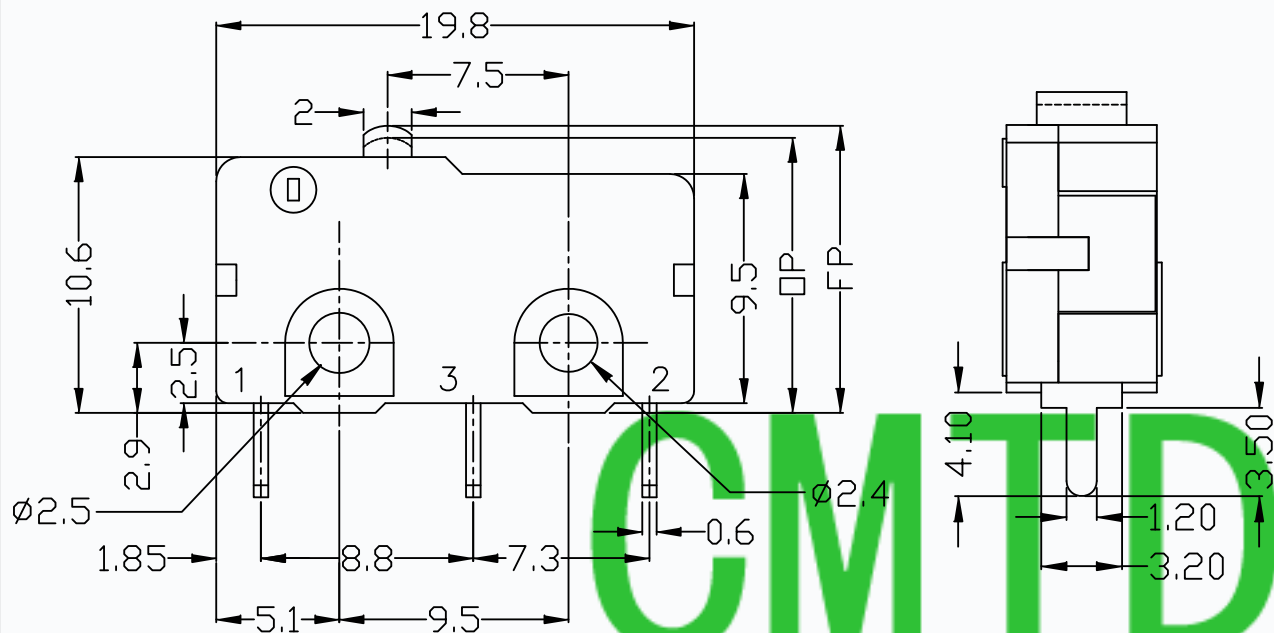


CAD FILE:

### DIMENSIONS



CIRCUIT DIAGRAM



### MODEL CODE

CM X-00 XX-X S-XX  
 1 2 3 4 5 6 7

1. Series: CM

2. Current Rating: 5=5A 125/250VAC  
 3=3A 125/250VAC

3. Actuator: 00=Non-lever

4. Termination: see chart (N/P/C/D/L)  
 (2=SPST-NO/3=SPST-NC)

5. Operating Force: see chart

6. Spring Material: S=SUS304

7. Number

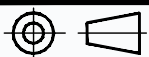
### 1.Functional spec

1.1 Rated Voltage	125/250VAC
1.2 Rated Current	3A/ 5A
1.3 Contact Resistance	≤100mΩ(Initial value)
1.4 Operating Force	115±30gf/175±45gf/250±50gf
1.5 Free Position	11.9±0.3mm
1.6 Operating Position	11.3±0.35mm

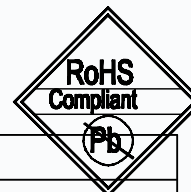
### 2.Reliable Rating

2.1 Mechanical Life	100,000CYCLES
2.2 Electrical Life	10,000CYCLES
2.3 Insulation Resistance	≥100MΩ DC500V(Initial value)
2.4 Withstand Voltage	AC1,000V 1minute(Initial value)
2.5 Soldering Temper	Hand Soldering
2.6 Ambient Humidity Used	<85%RH

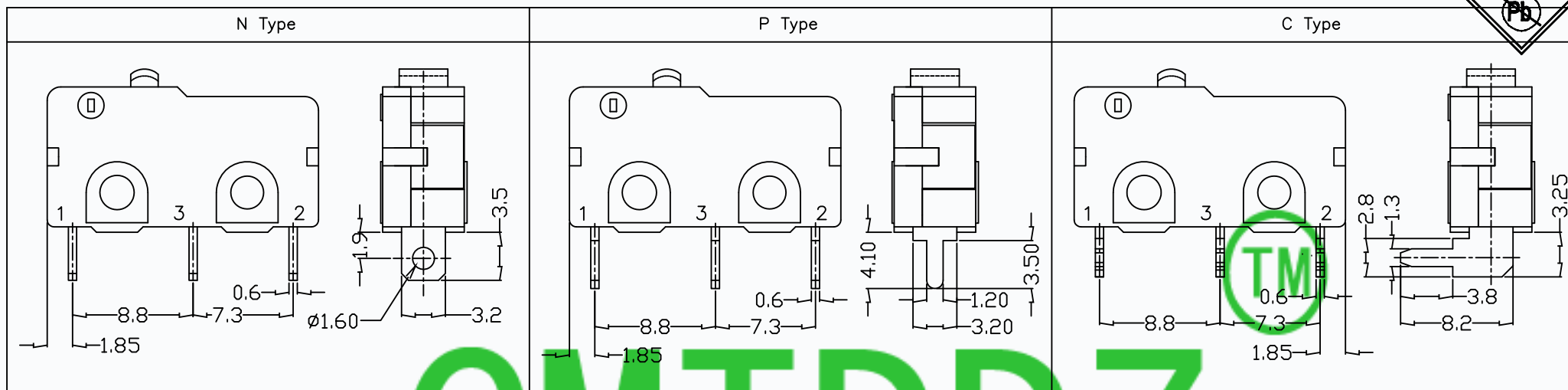
TOLERANCE UNLESS SPECIFIED				
TOLERANCE : ±0.2mm	A	2014-8-29	TIANDU ELECTRONICS	
	ISSUE	DATE	DESCRIPTIONS OF REVISION	APPD.
TITLE : MICRO SWITCH		UNIT : mm	DRWG NO.:TDU-CMX-00P-XS-01	
MODEL:SEE TABLE		SCALE:3:1	DWN.	ERIC 2012-12-12
CMTDDZ 东莞市田都电子有限公司			CHK'D	MAIKO 2012-12-12
DONGGUANSHI TIANDU ELECTRONIC CO.,LTD.			APPD	Coco 2012-12-12



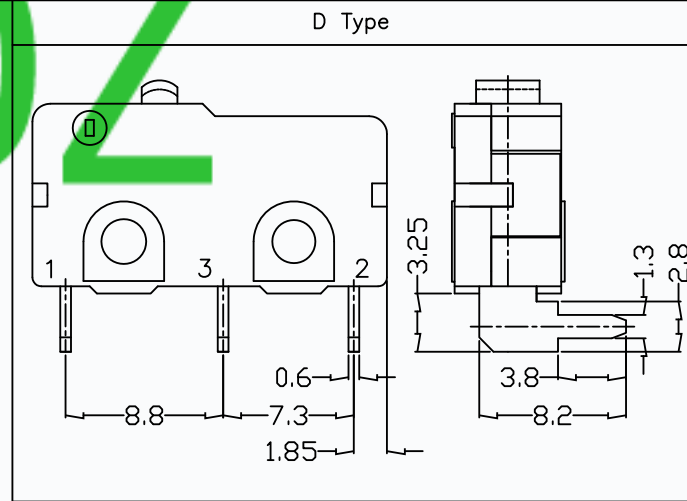
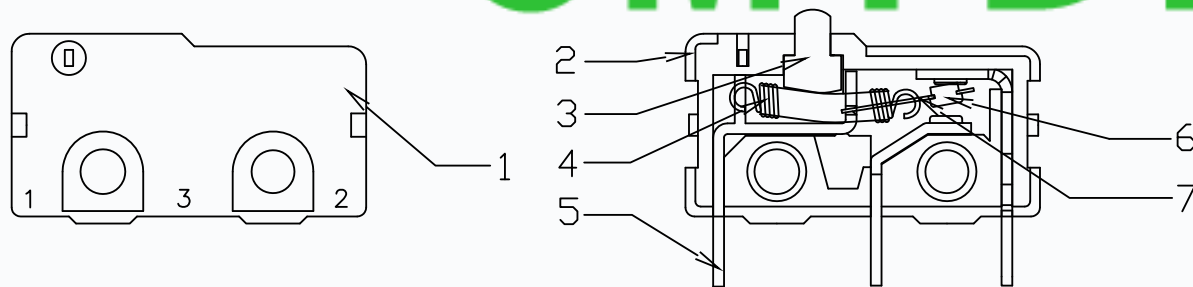
CAD FILE:



Terminal Type



Structure chart



Material list

NO.	PARTS	MATERIALS	Q'TY	FINISH
8				
7	Change Plate	C5210	1	
6	Contact	Compound silver	1	
5	Terminal	C2680	3	
4	Spring	SUS304	1	
3	Button	PBT	1	
2	Lower Housing	PBT	1	
1	Upper Housing	PBT	1	

TOLERANCE UNLESS SPECIFIED				
TOLERANCE : ±0.2mm		A	2014-8-29	TIANDU ELECTRONICS
ISSUE	DATE	DESCRIPTIONS OF REVISION		APPD.
TITLE : MICRO SWITCH			UNIT : mm	DRWG NO.:TDU-CMX-00P-XS-01
MODEL:SEE TABLE			SCALE:3:1	DWN. ERIC 2012-12-12
CMTDDZ 东莞市田都电子有限公司			CHK'D MAIKO	2012-12-12
DONGGUANSHI TIANDU ELECTRONIC CO.,LTD.			APPD Coco	2012-12-12