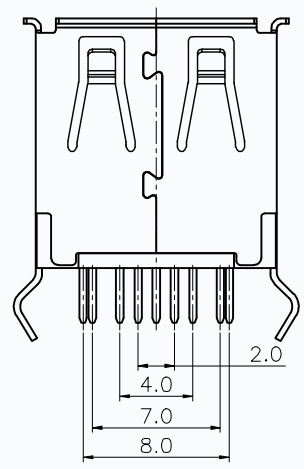
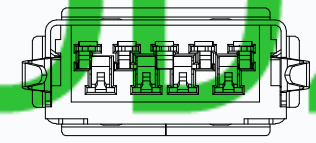
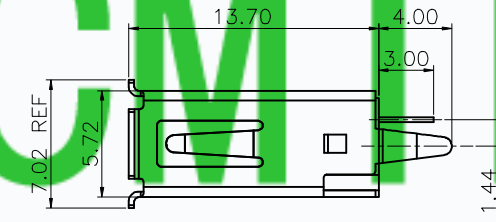
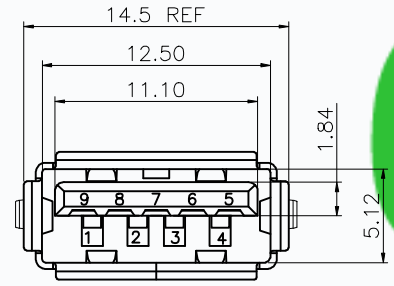
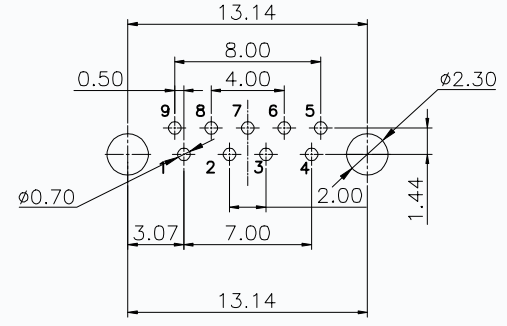
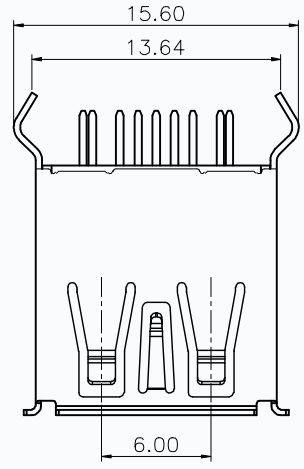


REV.	ECN NO.	DESCRIPTION	DRAW	CHECK	APPD.	DATE
A0	—	NEW DWG	BENDEE	—	—	2016.8.23



NOTES:

1. MATERIAL:

- 1.1 HOUSING: HIGH TEMPERATURE THERAL PLASTIC.
- 1.2 SPRING CONTACT: COPPER ALLOY.
- 1.3 FLAT CONTACT: COPPER ALLOY
- 1.4 SHELL : COPPER ALLOY.
- 1.5 COVER: HIGH TEMPERATURE THERAL PLASTIC.

2. FINISH:

- 2.1 CONTACT: (SEE P/N.), [50μ"] MIN. NICKEL UNDERPLATING OVER ALL.
- 2.2 SHELL: [50μ"] MIN. SOLDERABILITY NICKEL UNDERPLATING OVER ALL.

料号备注

T10-3 F 223 D XX T XX XX

- 12-半金雾锡10"
- 13-半金雾锡30"
- 14-半金雾锡50"
- 15-半金雾锡150"
- 16-半金雾锡300"



- R=ROHS2.0标准
- V=无卤+ROHS2.0
- H=REACH标准

- B=丝雾24H
- C=丝雾48H

PIN NO.	PIN 1	PIN 2	PIN 3	PIN 4
SLGAL NAME	V BUS	D-	D+	GND
REMARK	USB 2.0 CONTACT PINS			

PIN NO.	PIN 5	PIN 6	PIN 7	PIN 8	PIN 9
SLGAL NAME	STDA_SSRX-	STDA_SSRX+	GND_DRAIN	STDA_SSTX-	STDA_SSTX+
REMARK	USB 3.0 CONTACT PINS				

东莞市田都电子有限公司
Dong Guan TianDu Electronics Co.,Ltd

UNLESS OTHERWISE SPECIFIED TOLERANCES	APPROVAL		日期	品名	USB 3.0 AF 180度插板13.7 [有卷边]	
	制图	BENDEE	2016.8.23	规格		
	X. +/-	METRIC		料号	SEE TABLE	
	.X +/-	0.30		核准	DWG-USBAF-283	
.XX +/-	0.25		图号	版本: A0		
FRACTIONS +/-	0.25		ANGLE	比例 1:1		
ANGLES +/-	2.00°		DIMENSIONS (METRIC) (MM)	状态码	A	页数 1 OF 1