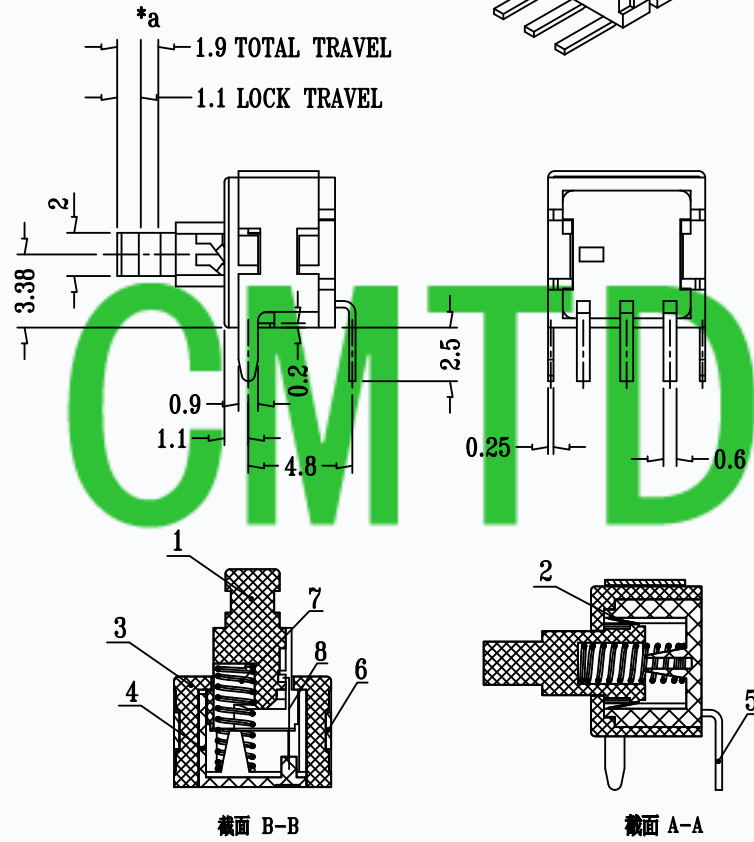
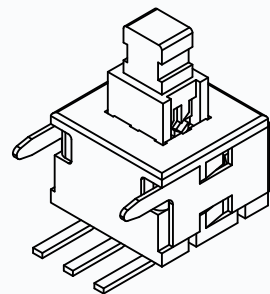
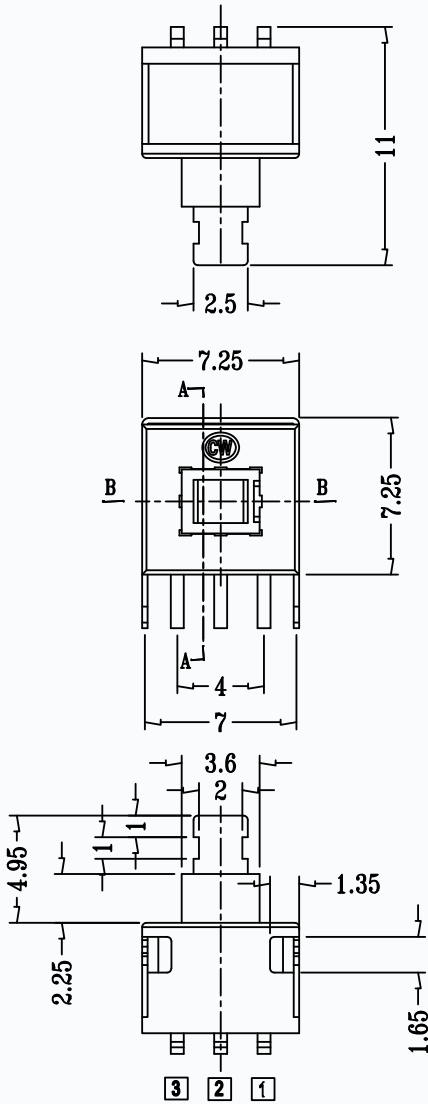


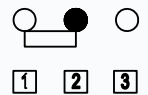


CAD FILE:

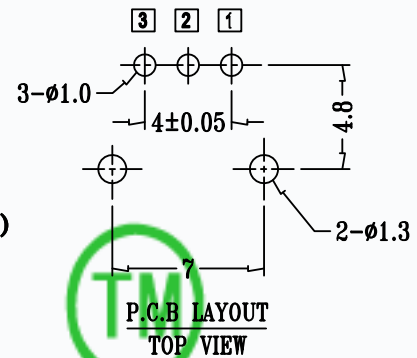
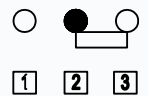


SCHMATIC

FREE



PUSH (LOCK)



OPERATING MODEL:

SELF-LOCK:T5-70F042D-L
Non-LOCK:T5-70F042D-NL

SPECIFICATIONS

Rating	0.1A 30V DC
CIRCUIT	2P-2T
Timing	NON-SHORTING
Travel	FULL:1.9mm
	LOCK:1.1mm
Operating Force	230gf ± 50gf
Operating Life	10,000 cycles

NO.	PARTS	MATERIALS	Q'TY	FINISH
8	STICK	SUS	1	NATURAL
7	SPRING	SUS	1	NATURAL
6	FRAME	SUS	1	SN PLATED
5	TERMINAL	BRASS STRIP	3	Ag PLATED
4	CASE	PPA	1	BLACK
3	COVER	PPA	1	BLACK
2	CONTACT PIECE	PBS C5210R-EH	6	Ag CLAD
1	KNOB	PPA	1	WHITE

TOLERANCE UNLESS SPECIFIED		THESE DRAWINGS AND SPECIFICATIONS ARE THE PROPERTY OF DONGGUAN TIANDU ELECTRONICS CO.,LTD. AND SHALL NOT BE REPRODUCED, COPIED OR USED IN ANY MANNER WITHOUT THE PRIOR WRITTEN CONSENT OF DONGGUAN TIANDU ELECTRONICS CO., LTD	
WITHIN 1.5mm : ±0.1mm		DESCRIPTIONS OF REVISION	
OVER 1.5mm : ±0.2mm		APPD.	
TITLE : VERTICAL SLIDE SWITCH		UNIT : mm	DRWG NO.: CMTDDZ-T5-70F042D-00
MODEL: SEE TABLE		SCALE: 3:1	DWN. ERIC 2013-6-17
CMTDDZ 东莞市田都电子有限公司		CHK'D MAIKO	2013-6-17
DONGGUAN TIANDU ELECTRONICS CO.,LTD.		APPD. Coco	2013-6-17